



Keys Fitness

r4.0

Owner's Manual

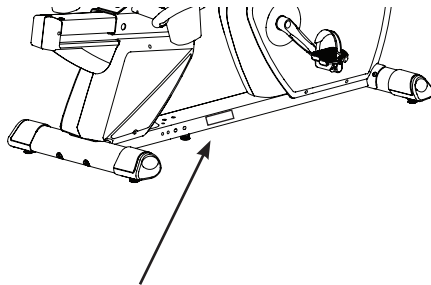
KF-R4.0

Customer Service
(800) 340-0482

Manufactured By:
Keys Fitness Products
4009 Distribution Drive
Suite 250
Garland, TX 75041

CAUTION

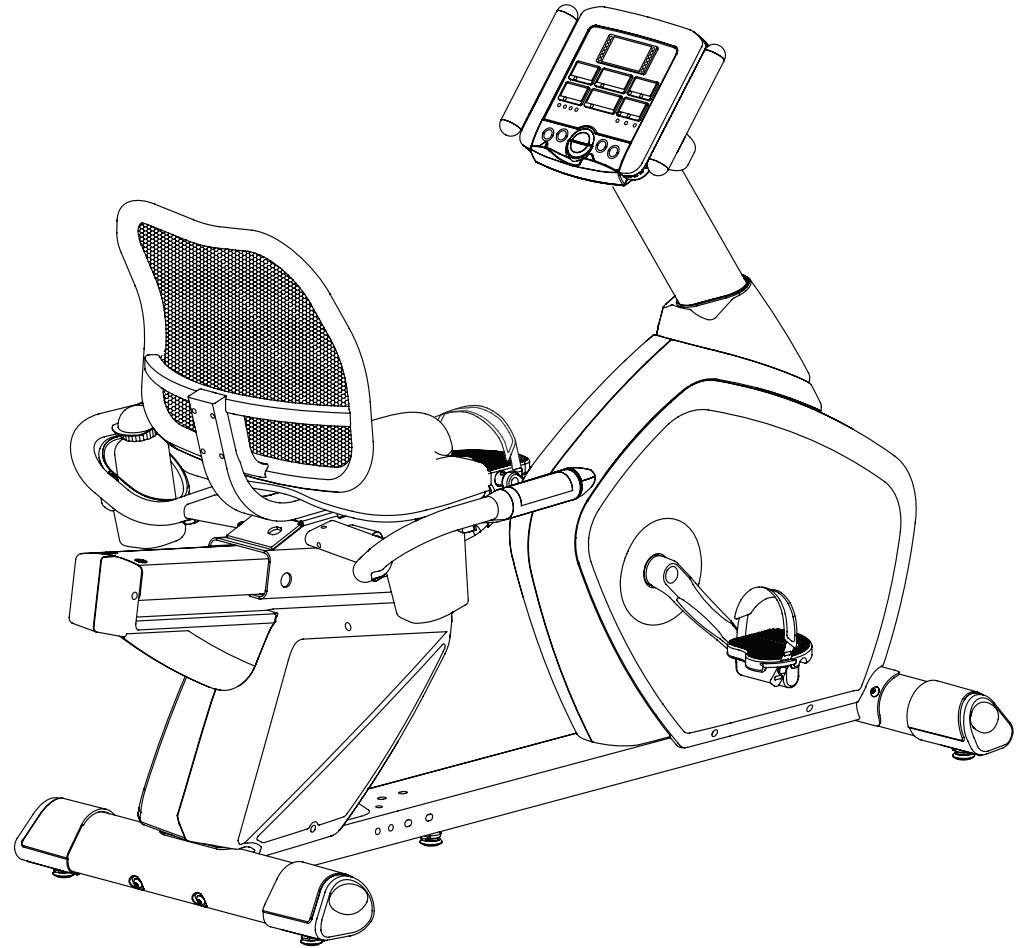
Read all precautions and instructions in this manual before using this equipment.



Model Name : KF-R4.0

Serial Number : _____

*Serial Number can be found in
the location specified above.*



315-00134
09/18 Rev 9.0

TABLE OF CONTENTS

Table of Contents	2
Important Safety Information	3
Assembly	4
Parts Identifier	4
Assembly Steps	7
Console Information	21
Workout Information	28
Parts List	32
Exploded View	34
Warranty	35

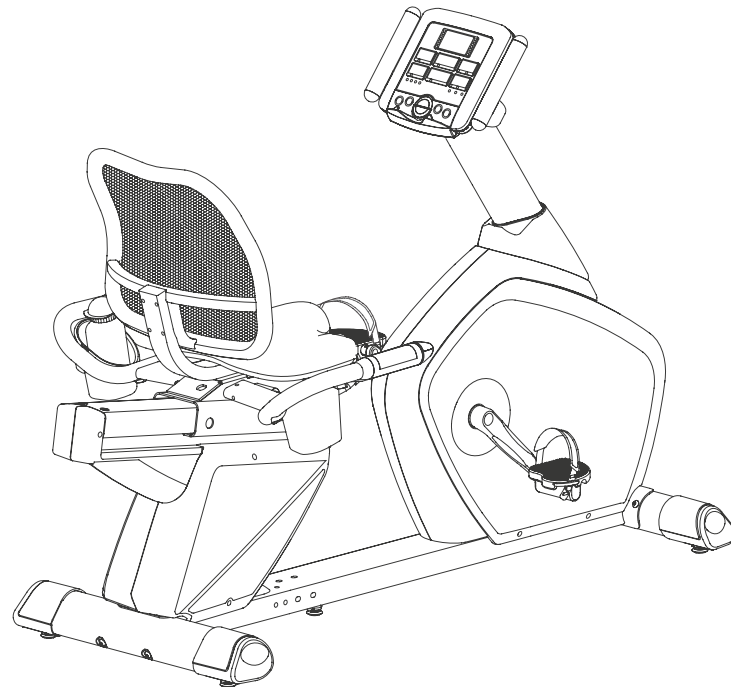
THANK YOU

THANK YOU for making this unit a part of your exercise program. Keys Fitness Products assures the very best in value, appearance, durability and biomechanics. This manual will guide you through the assembly process. If at any time you are having trouble with the assembly or use of this product, then please contact us at our Keys Fitness Products Help line. We have trained service technicians on site to take care of you, our valued customer.

REGISTRATION CARD

To avoid unnecessary delays in warranty parts and to insure that a permanent record of your purchase is on file with our company, be sure to send in the warranty registration card or register on-line at www.keysfitness.com within 10 days of purchase.

Keys Fitness series
 MODEL: KF-R4.0
 QUESTIONS?
 CALL
(800) 340-0482
 Monday-Friday
 8:30 am - 5:30 pm Central Time



WARNING!

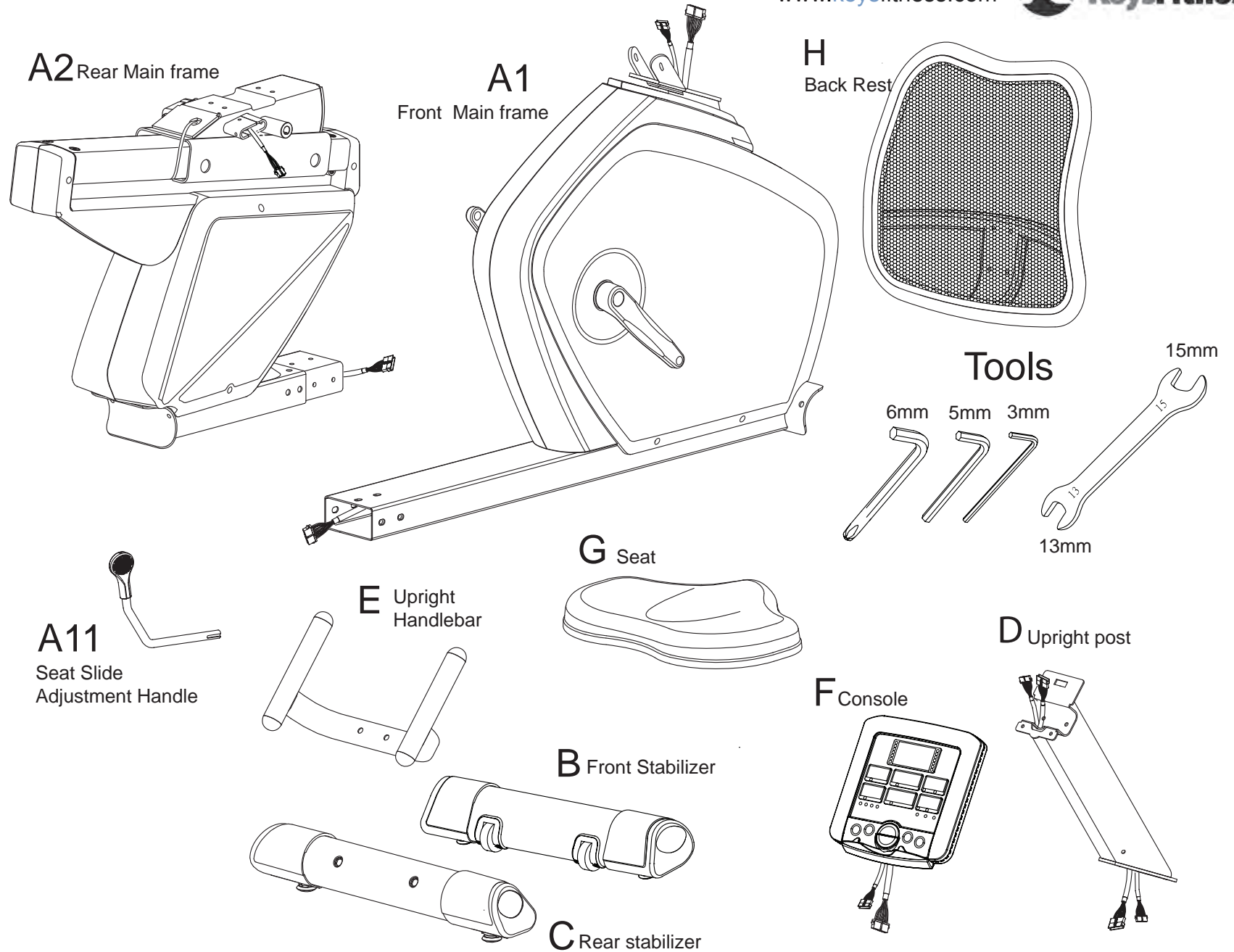
Before using this unit or starting any exercise program, consult your physician. This is especially important for persons over the age of 35 and/or persons with pre-existing health problems. The manufacturer or distributor assumes no responsibility for personal injury or property damage sustained by or through the use of this product. To reduce the risk of electrical shock, burns, fire, or other possible injuries to the user, it is important to review this manual and the following precautions before operation.

SAFETY PRECAUTIONS AND TIPS

1. It is the owner's responsibility to ensure that all users of this unit have read the Owner's Manual and are familiar with warnings and safety precautions.
2. This unit has a user maximum capacity of **300** pounds.
3. The unit should only be used on a level surface and is intended for indoor use only. The unit should not be placed in a garage, patio, or near water and should never be used while you are wet. Keys Fitness Products recommends a mat be placed under the unit to protect floor or carpet and for easier cleaning.
4. Follow safety information in regards to plugging in your unit. Do not run the power cord underneath your unit. Do not operate the unit with a damaged or frayed power cord.
5. Wear comfortable, good-quality walking or running shoes and appropriate clothing. Do not use the unit with bare feet, sandals, socks or stockings.
6. Always examine your unit before using to ensure all parts are in working order.
7. Allow the unit to fully stop before dismounting.
8. Pets should never be allowed near the unit.
9. Do not leave children unsupervised near or on the unit.
10. Never operate the unit where oxygen is being administered, or where aerosol products are being used.
11. Never insert any object or body parts into any opening.
12. For safety and to prevent damage to your unit, no more than one person should use the unit at a time.
13. Always unplug the unit before cleaning and/or servicing. Service to your unit should only be performed by an authorized service representative, unless authorized and/or instructed by the manufacturer.
14. Failure to follow these instructions will void the unit warranty.

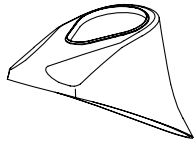
Thank you for purchasing the Keys Fitness Products **KF-R4.0!** The quality product you have chosen was designed to meet your needs for cardiovascular exercise. Before you start, please read the Owner's Manual and become familiar with the operation of your new unit. Remember to take time to perform stretching exercises, provided in this manual, to help avoid injury. If you are taking medication, consult your physician to see what effect the medication will have on your exercise heart rate. If you have heart problems, you are not active, and/or are over the age of 35 years, do not use the pre-set programs or start an exercise program without first contacting and receiving approval from your physician. To avoid the risk of electrical shock, always keep the console dry. Do not spill liquids on the console. Keys Fitness Products recommends a sealed water bottle for beverages consumed while using the unit.



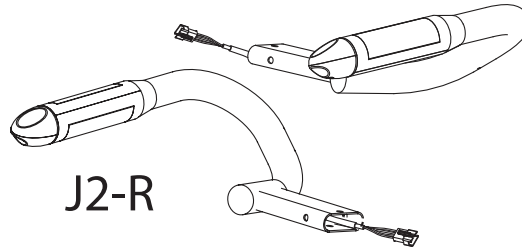


Prior to assembly, remove components from the box and verify that all the listed parts were supplied.

I Upright tube cover



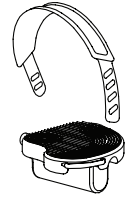
J1-L Side Handlebar - Left



J2-R

Side Handlebar - Right

S5 Pedal Strap - Right



S4 Pedal Strap - Left

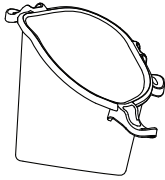


L-L
Left Pedal

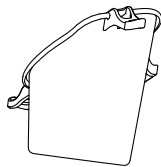
L-R
Right Pedal



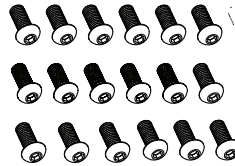
M1 Accessory Tray - Left



M2 Accessory Tray - Right



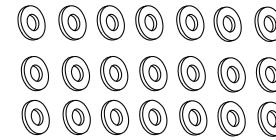
N1 Allen Screws
M8 x15



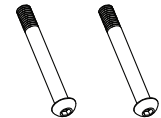
N2 Spring Washers M8



N3 Flat Washers
M8x16x1.2T



N4 Allen Screws
M8 x 105



N5 Allen Screws
M8x35



N6 Allen Screws
1/4"x40L



N7 Allen Screws
M8x20



N8 Allen Screws
M6x10



N9 Screws M4x15



N10 Set Screw
M6x8



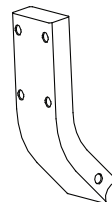
N11 Washer (Black)
M8x16x1.2T



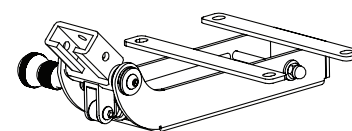
N12 Washer 8x4.5



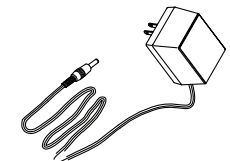
P Back Rest
Support Tube

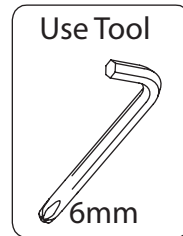


P1 Seat
Tube Support



S Adapter




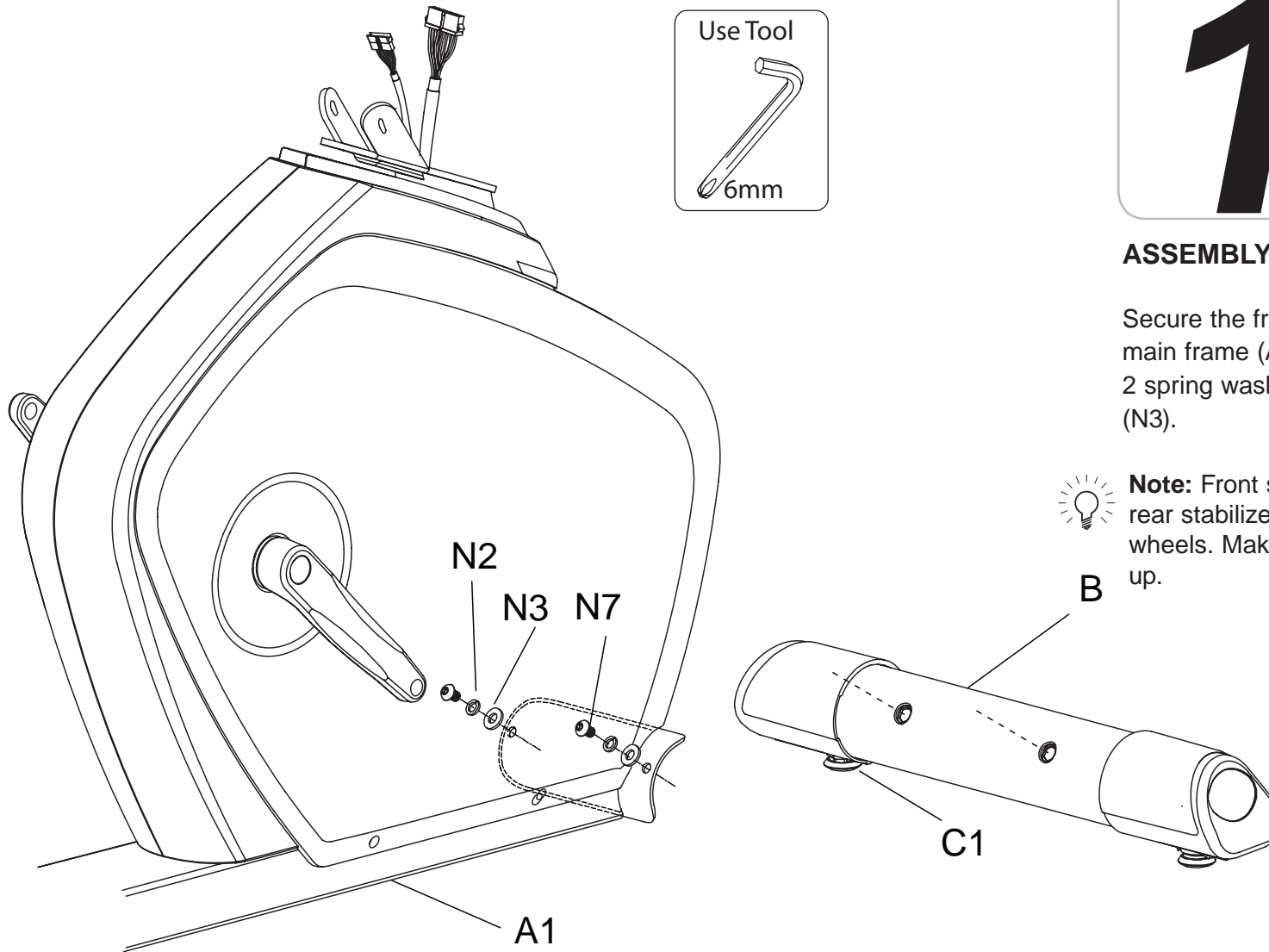


1

ASSEMBLY FOR FRONT STABILIZER

Secure the front stabilizer (B) to the front main frame (A1) using 2 allen screws (N7), 2 spring washers (N2) and 2 flat washers (N3).

 **Note:** Front stabilizer (B) is very similar to rear stabilizer (C), but contains transport wheels. Make sure not to get them mixed up.



2

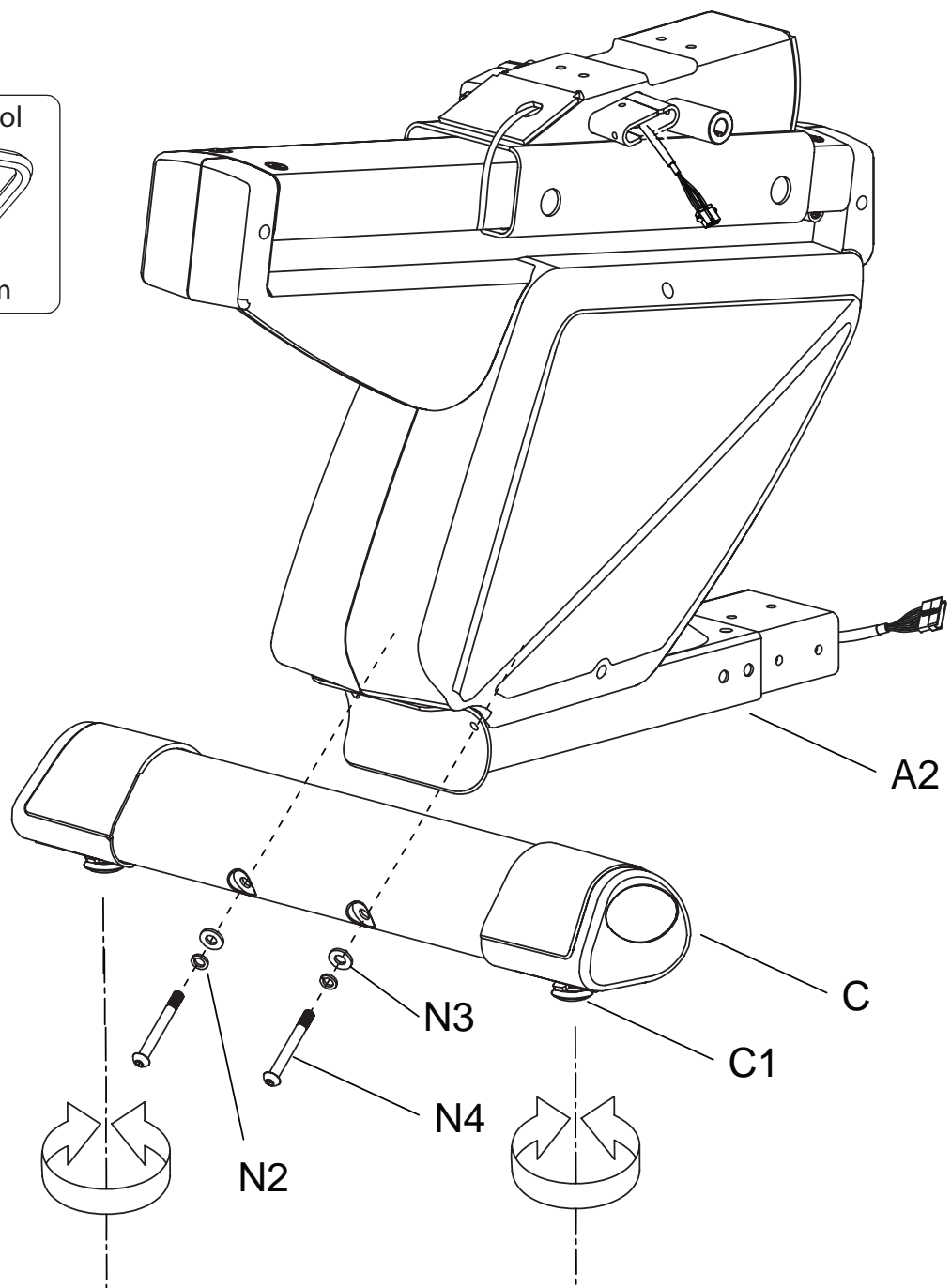
ASSEMBLY FOR REAR STABILIZER

Secure the rear stabilizer (C) to the rear main frame (A2) using allen screws (N4), 2 spring washers (N2) and 2 flat washers (N3).



Note:

After you finish the assembly for front and rear stabilizer bars in order to add stability to the unit, you may need to adjust the levelers that are located on the bottom of the unit.



ASSEMBLY FOR FRONT & REAR MAIN FRAME

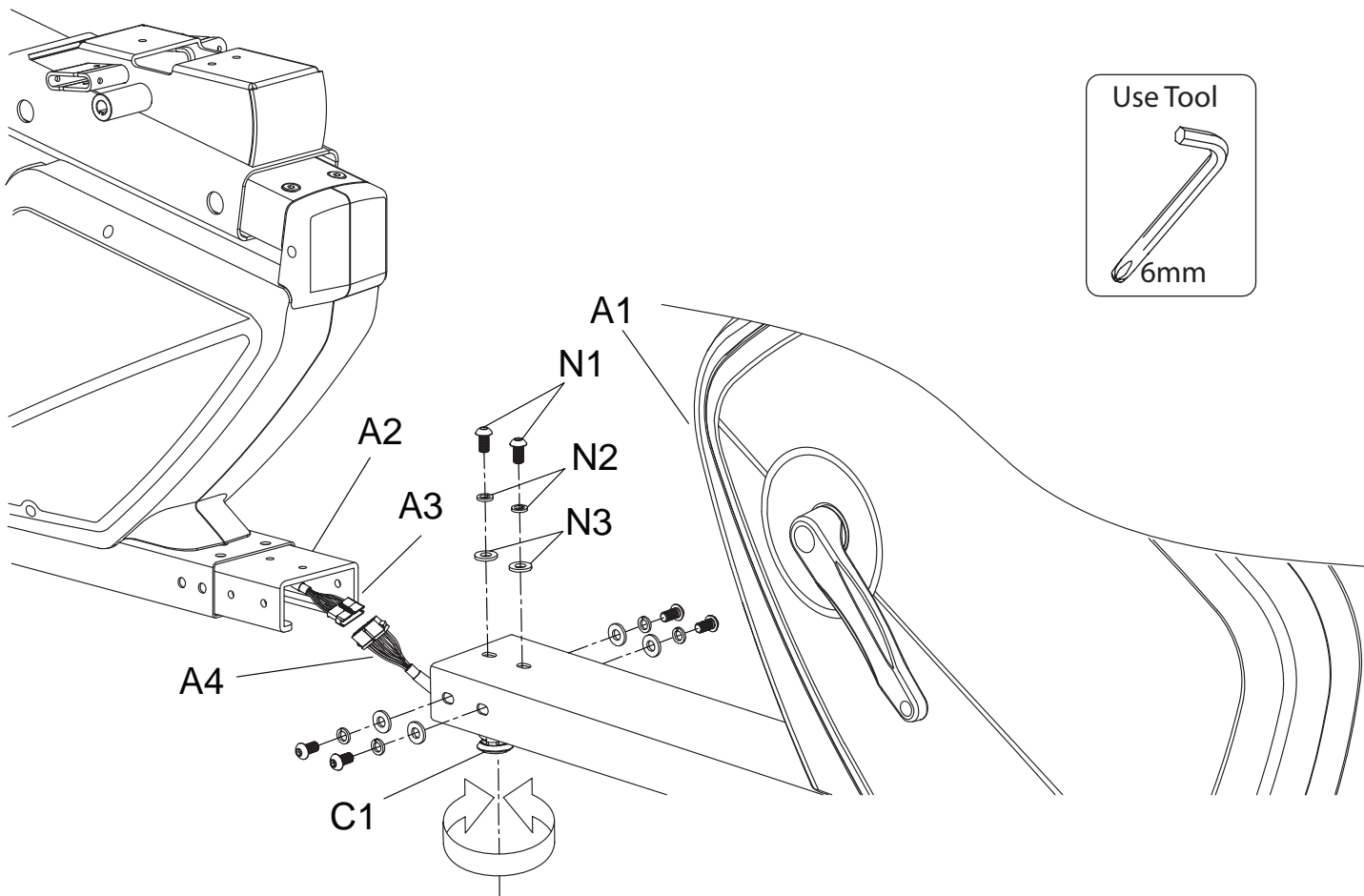
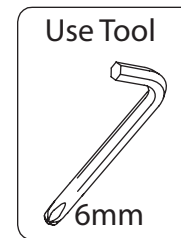
Step 1:

Connect the front (A4) and rear (A3) pulse wires together.

Step 2:

Attach the front (A1) and rear (A2) main frames together - make sure all wires are lined up correctly so that they are not pinched when assembling the two frames together. Then secure them using 6 allen screws (N1), 6 spring washers (N2) and 6 flat washers (N3).

3



4

ASSEMBLY FOR UPRIGHT POST

Step 1:

Insert the upright post cover (I) into the upright tube (D).

Step 2:

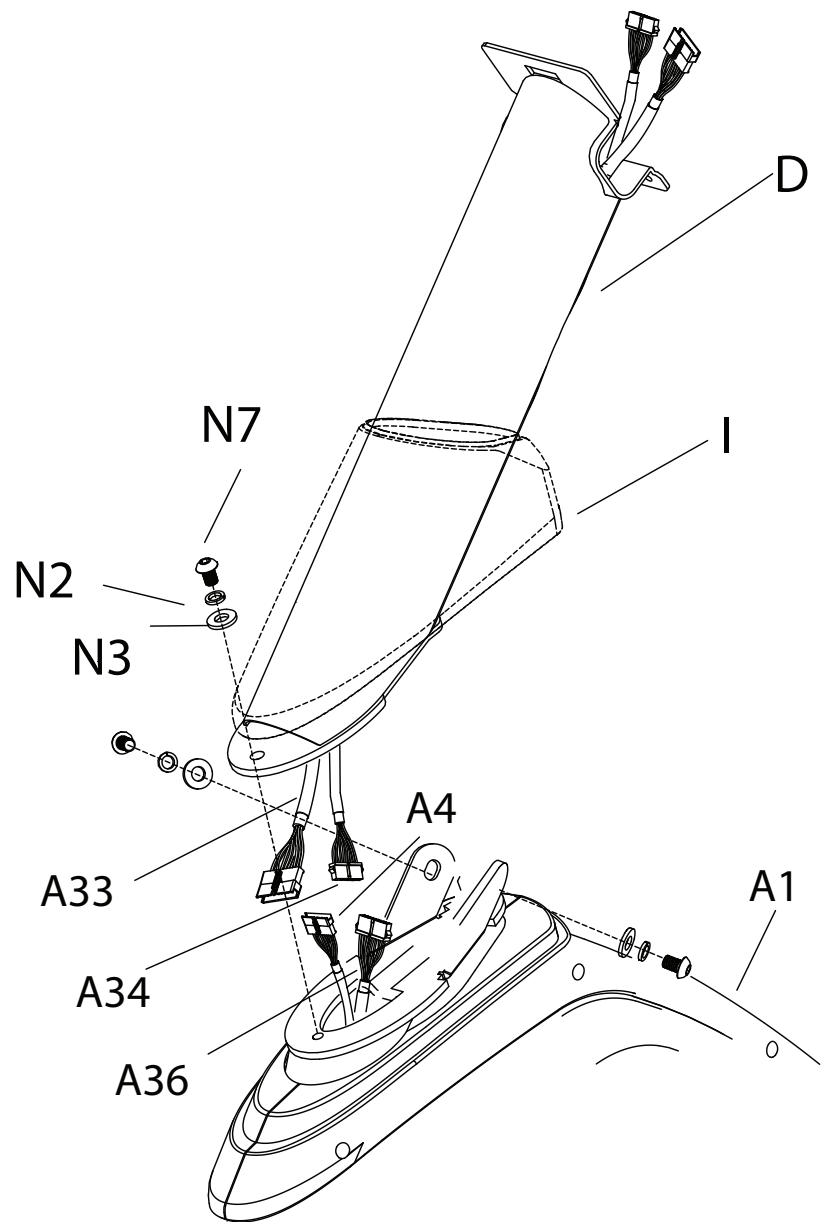
Connect the lower pulse wire (A4) with the upper pulse wire (A34). Also, connect the lower sensor wire (A36) with the upper sensor wire (A33).

Step 3:

Secure the upright post to the main frame (A1) using 3 allen screws (N7), 3 spring washers (N2) and 3 flat washers (N3).

Step 4:

Slide the upright tube cover (I) down to conceal tube connection.



Note: Be careful not to pinch the sensor wire connection during assembly.

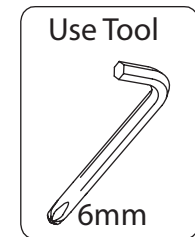
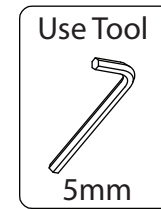
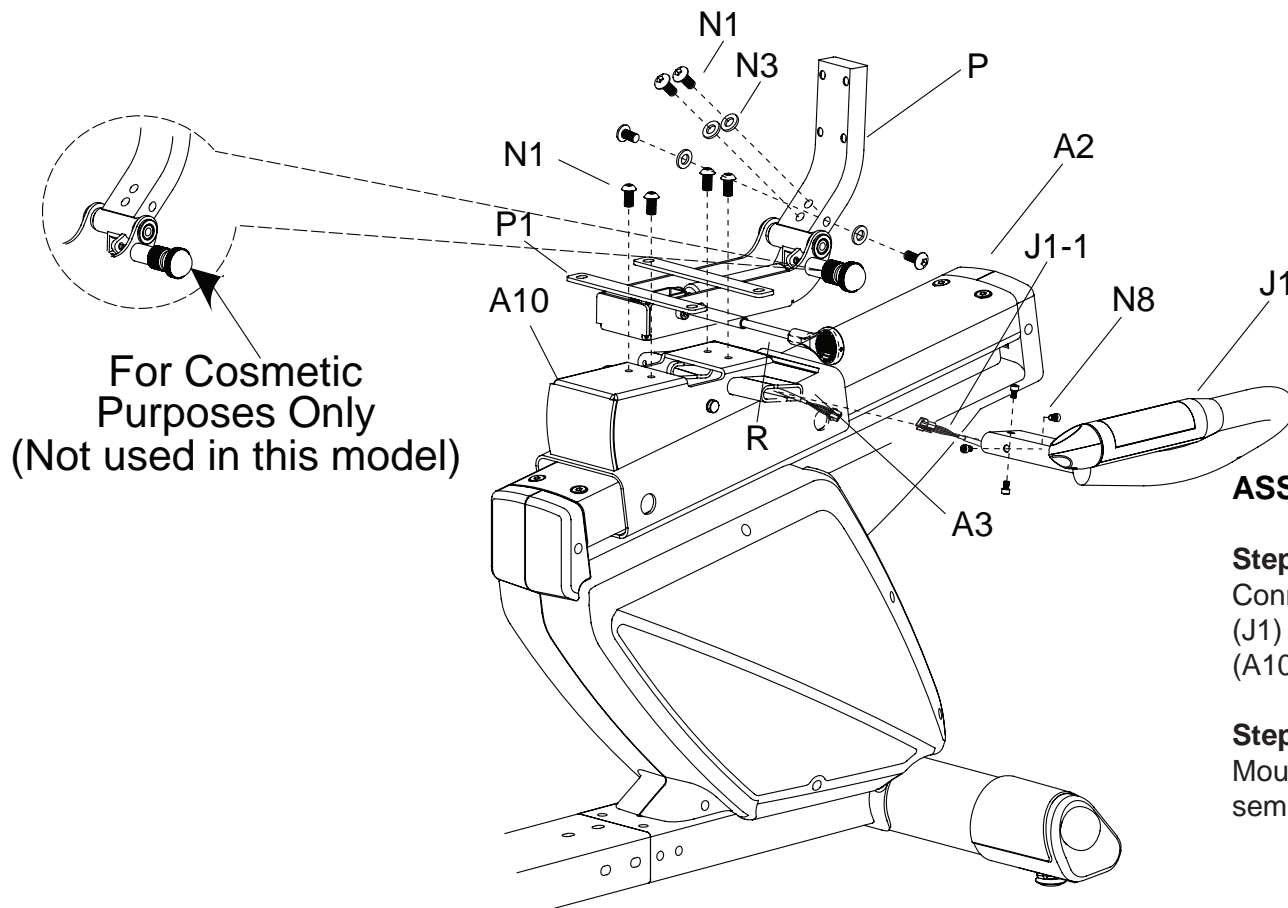
ASSEMBLY FOR BACK REST SUPPORT TUBE

Attach the back rest support tube (P) to the seat support tube (P) and secure using 3 allen screws (N1) and 3 flat washers (N3).

ASSEMBLY FOR SEAT SUPPORT FRAME

Attach the seat support tube (P1) to the seat slide assembly (A10) and secure it using 4 allen screws (N1).

5



ASSEMBLY FOR LEFT HANDLEBAR

Step 1:
Connect pulse wire (J1-1) from left handlebar (J1) and pulse wire (A3) from seat slide assembly (A10).

Step 2:
Mount the left handlebar (J1) to the seat slide assembly (A10) and secure with 4 allen screws (N8).

6

ASSEMBLY FOR RIGHT HANDLEBAR

Step 1:

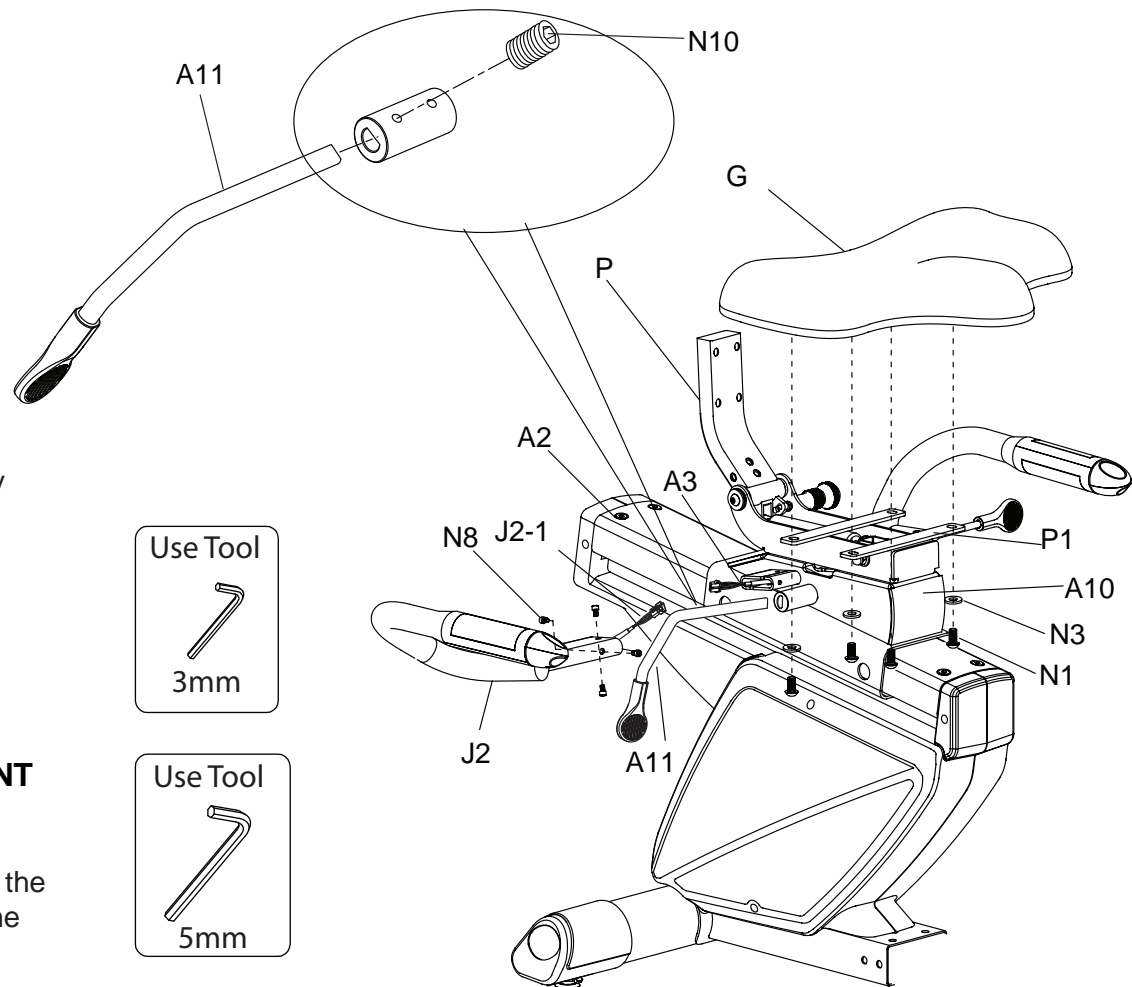
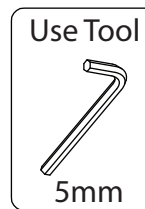
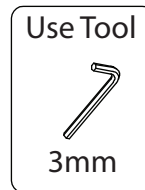
Connect pulse wire (J2-1) from right handlebar (J2) and pulse wire (A3) from seat slide assembly (A10).

Step 2:

Mount the right handlebar (J2) to the seat slide assembly (A10) and secure with 4 allen screws (N8).

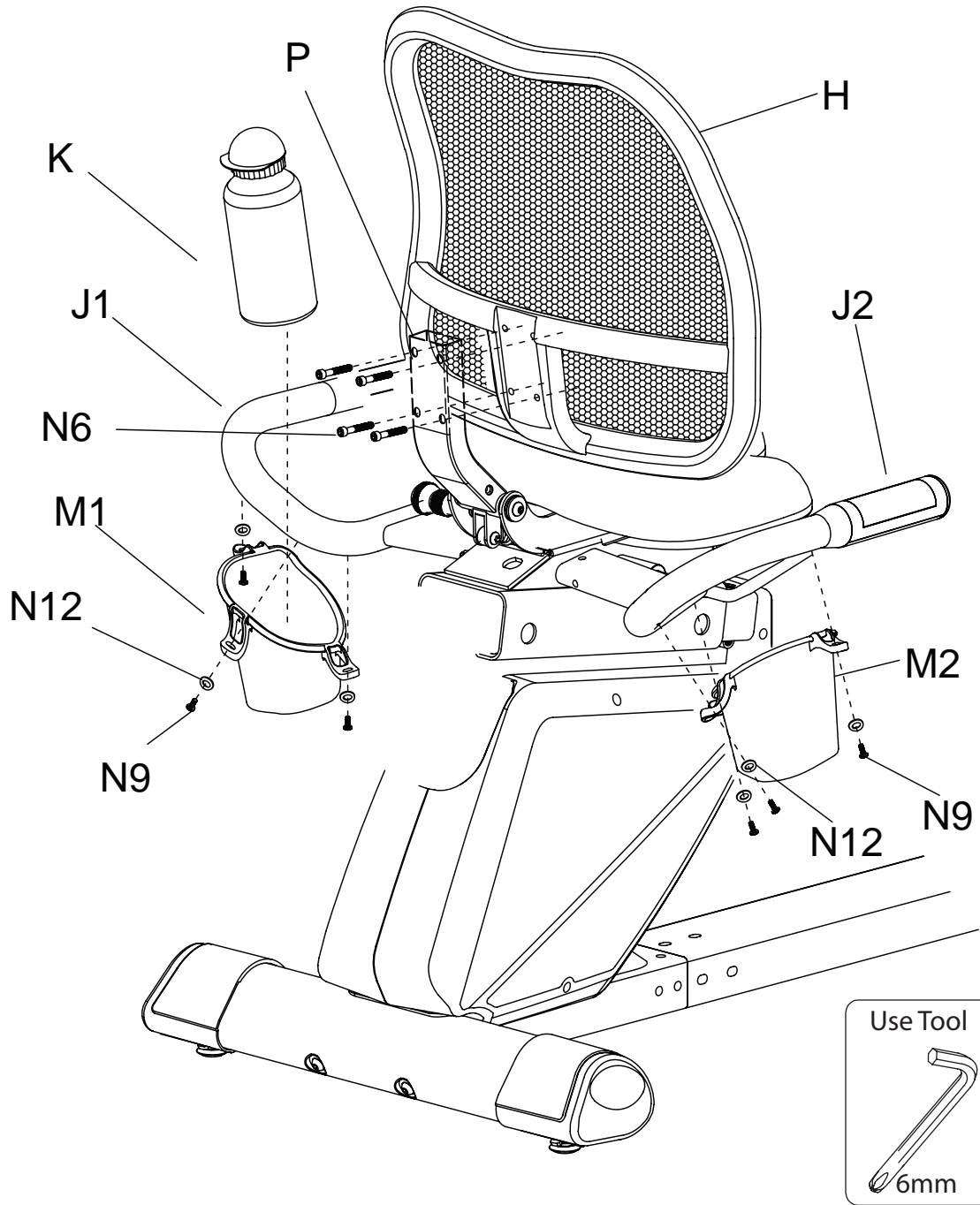
ASSEMBLY FOR SEAT SLIDE ADJUSTMENT HANDLE

Insert the seat slide adjustment handle (A11) into the seat slide adjustment collar on the rear main frame (A2) and secure with an M6 set screw (N10).



ASSEMBLY FOR SEAT CUSHION

Attach seat cushion (G) to the seat support frame (P) using 4 screws (N1) and 4 flat washers (N3).



7

ASSEMBLY FOR BACK CUSHION

Step 1:
Attach the back rest (H) to the seat support tube (P) and secure it using 4 allen screws (N6).

ASSEMBLY FOR ACCESSORY TRAYS

Step 1:
Attach the right accessory tray (M2) to the right handlebar (J2) and secure using 3 screws (N9) and 3 oval washers (N12).

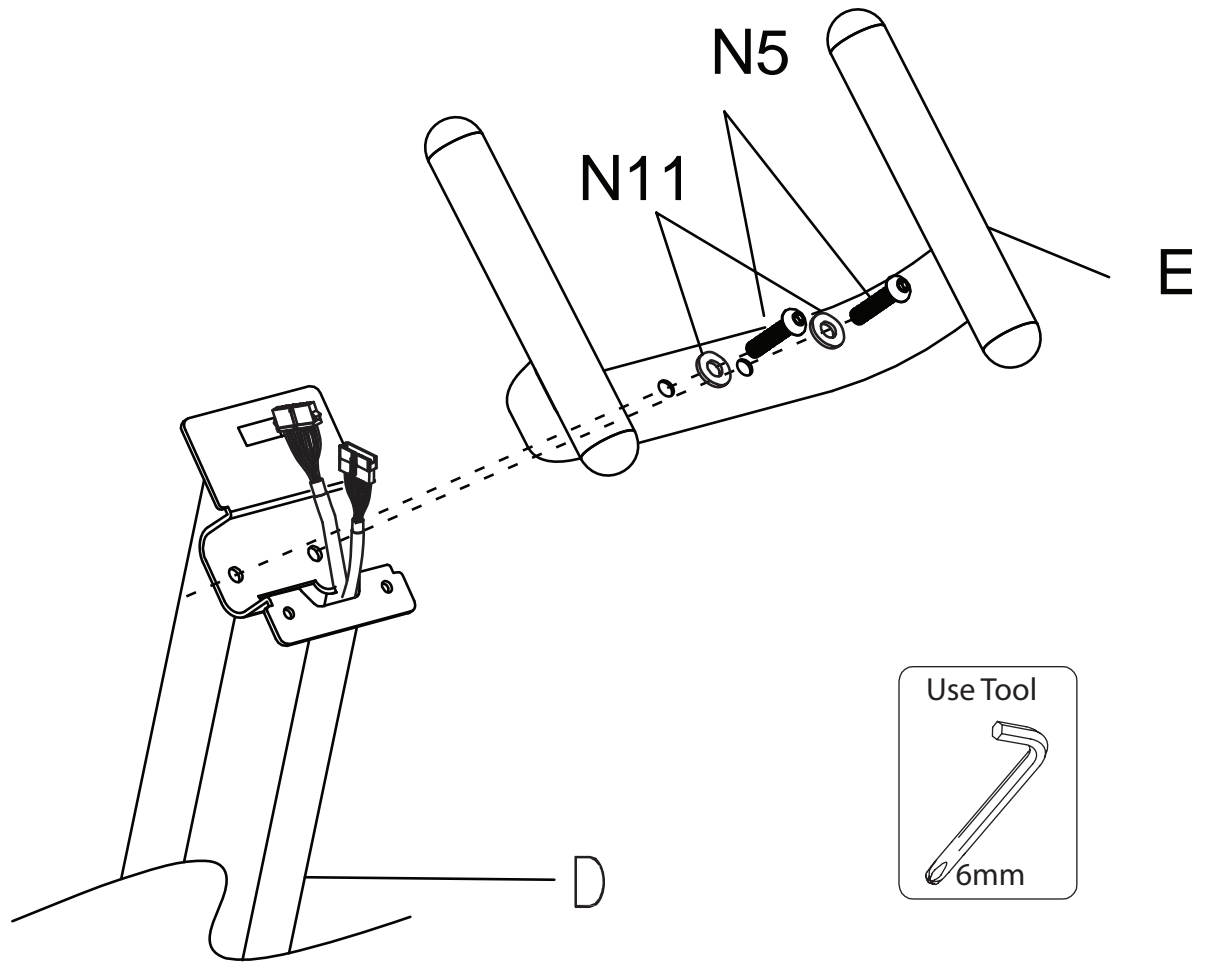
Step 2:
Attach the left accessory tray (M1) to the right handlebar (J1) and secure using 3 screws (N9) and 3 oval washers (N12).

Step 3:
Place water bottle (K) in one of the accessory trays.

8

ASSEMBLY FOR HANDLEBAR

Attach the upright handlebar (E) to the upright post (D) and secure it with 2 allen screws (N5) and 2 flat washers (N11).



9

ASSEMBLY FOR CONSOLE

Step 1:

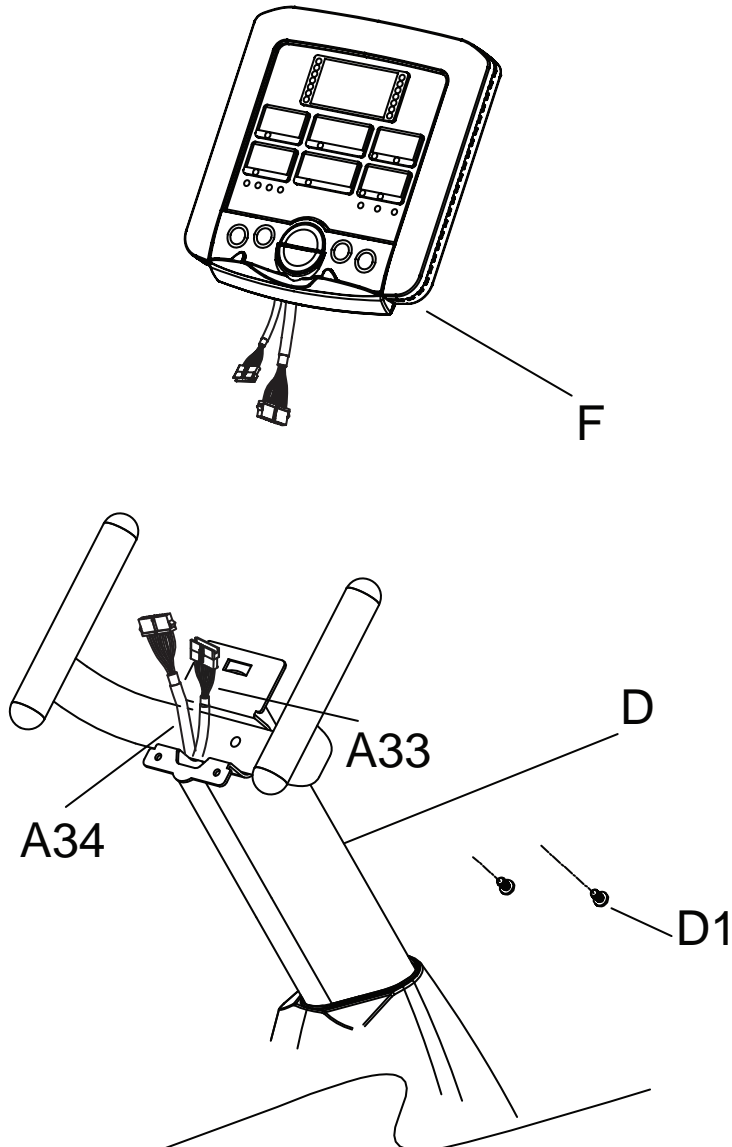
Connect the sensor wire (A34) and pulse wire (A33) with the corresponding wires on the console (F).

Step 2:

Remove the screws (D1) that are preinstalled on the back side of the console.

Step 3:

Gently push all wires into the upright post and mount console (F) by sliding onto the console mounting plate at the top of the upright tube (D). Secure using 2 screws (D1).



10

ASSEMBLY FOR PEDALS

Step 1:

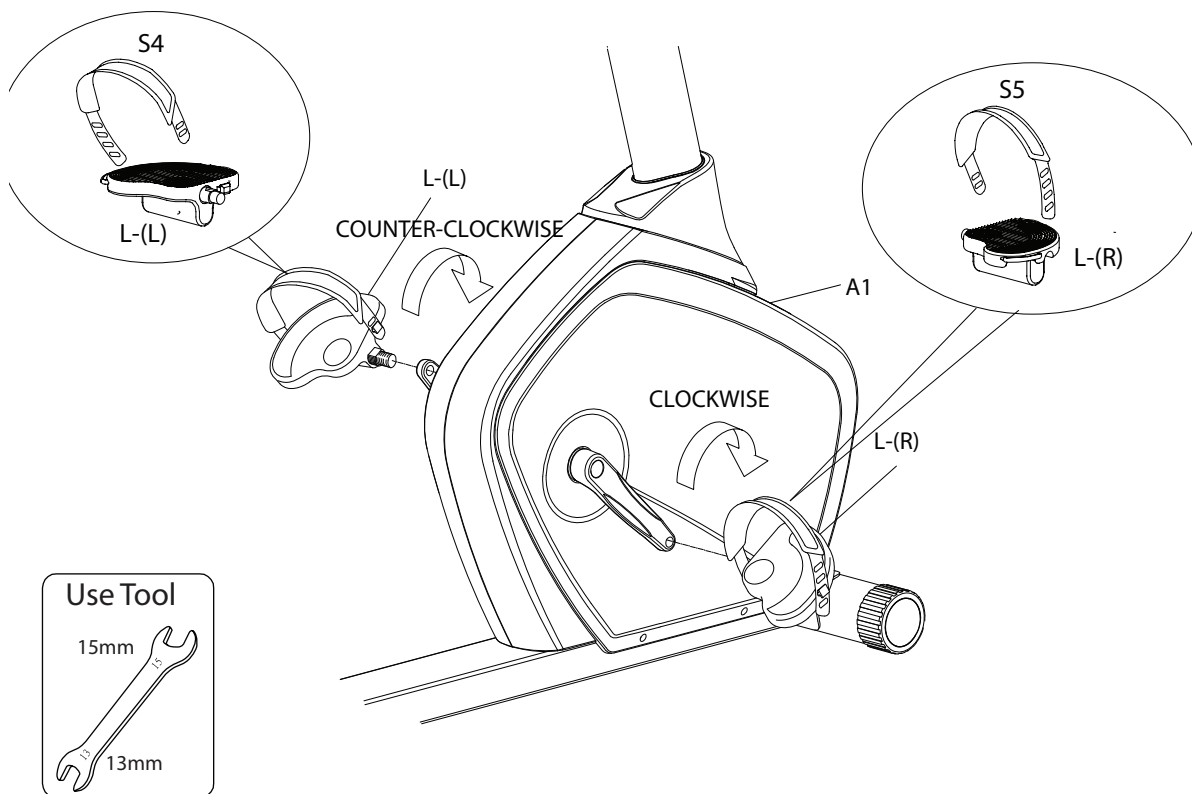
Attach left pedal strap (S4) to left pedal (L-L) and right pedal strap (S5) to right (L-R) pedals.

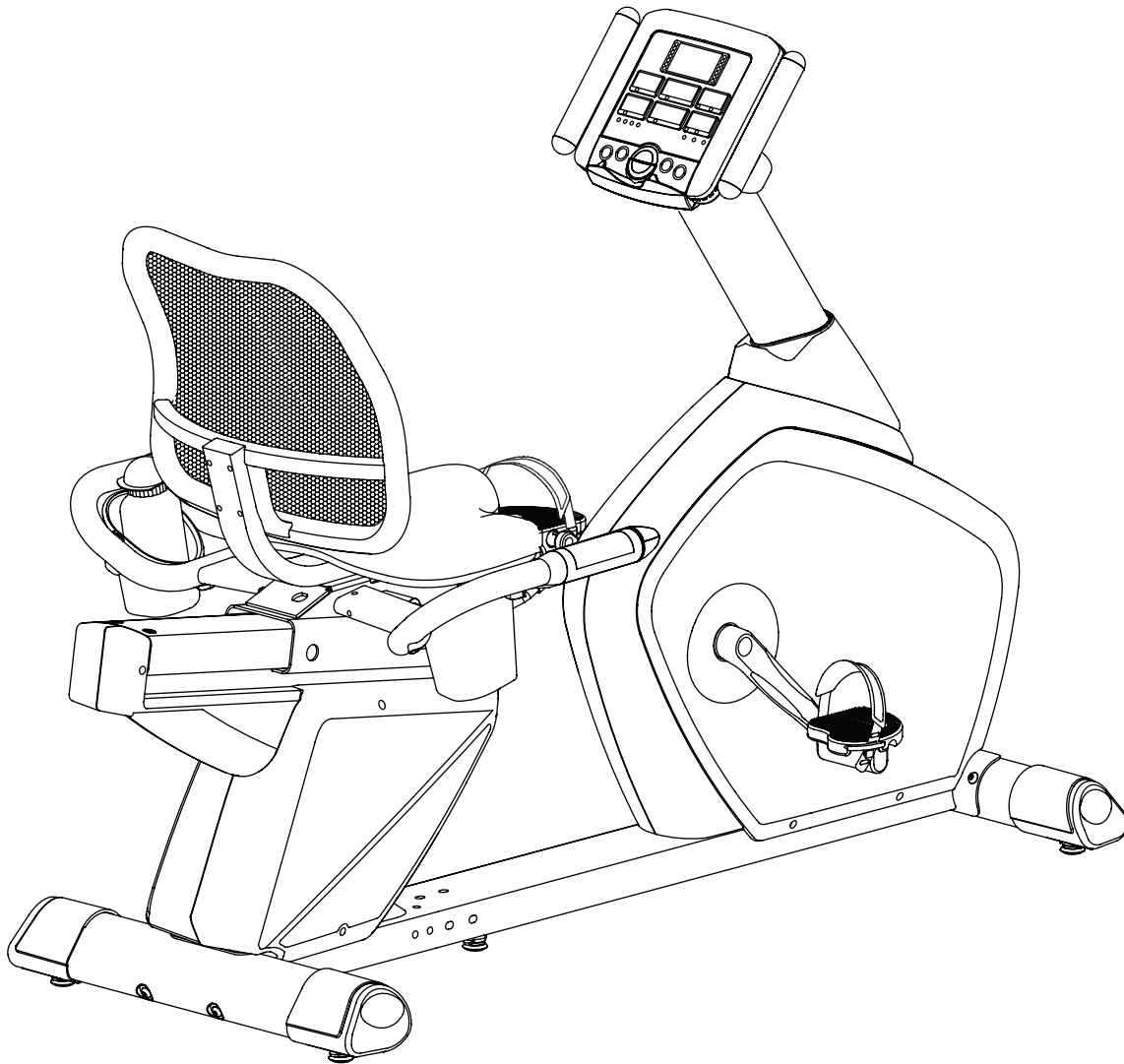
Step 2:

Thread the left pedal (L-L) into the pedal crankshaft in the **counter-clockwise** direction.

Step 3:

Thread the right pedal (L-R) into the pedal crankshaft in the **clockwise** direction.

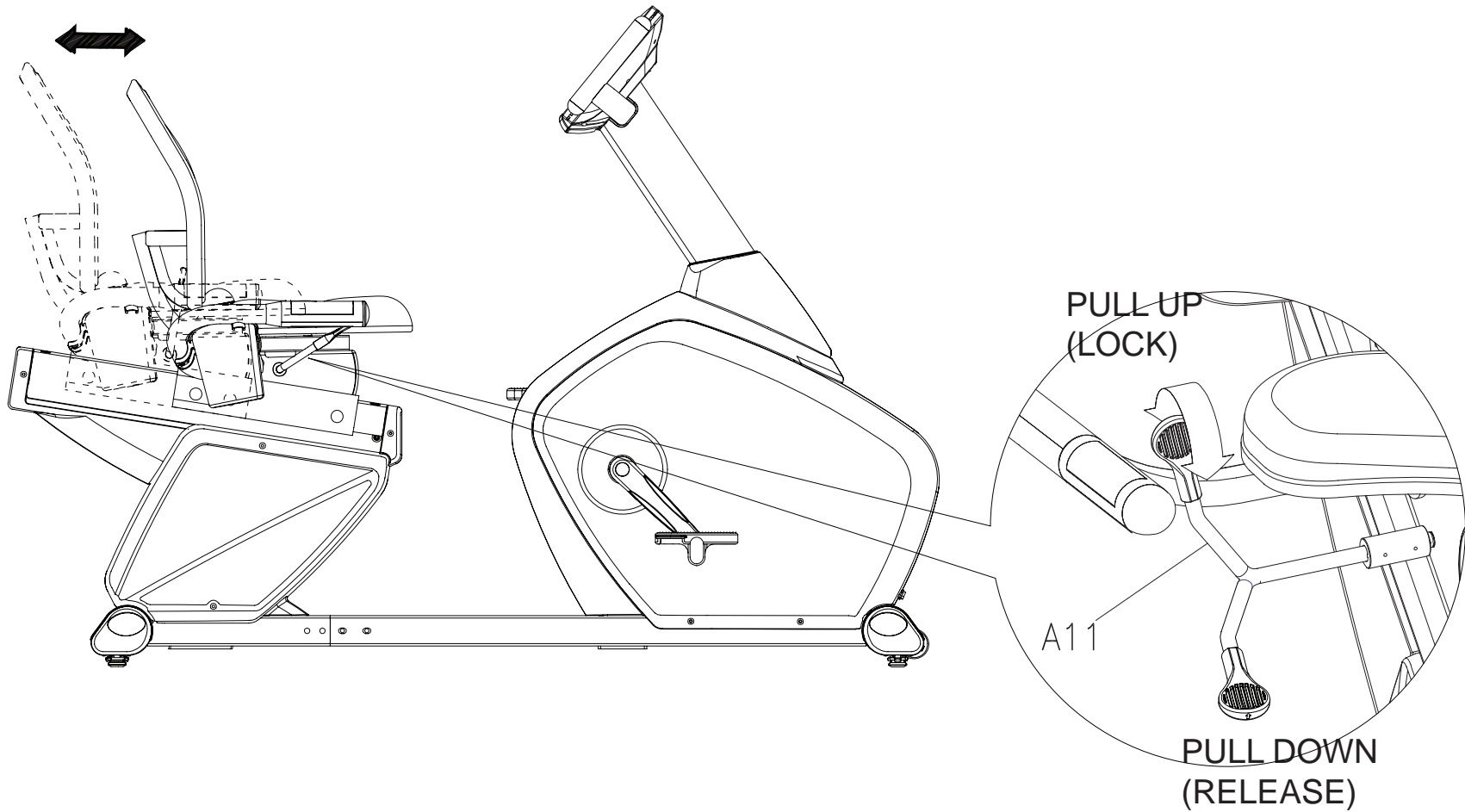




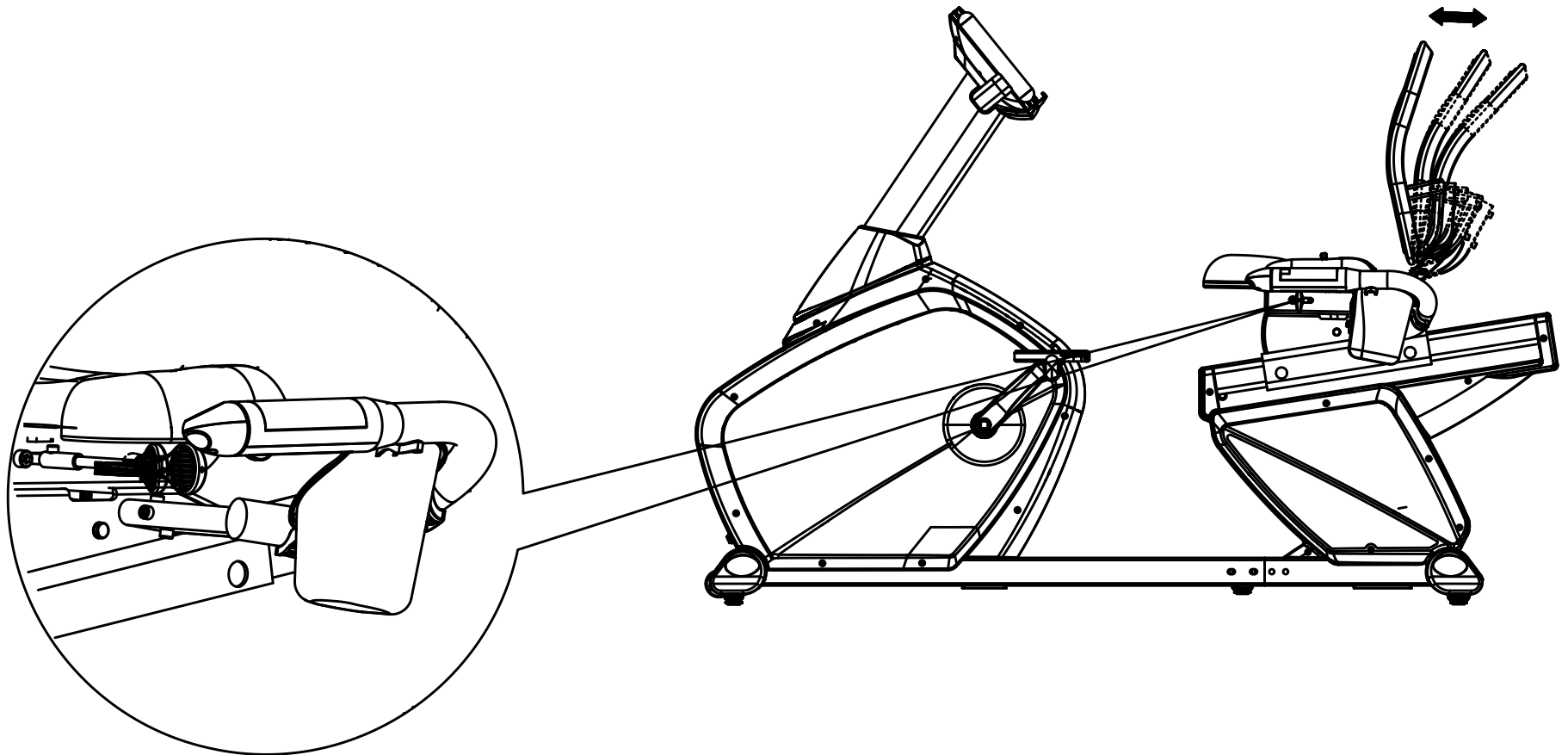
R4.0

Congratulations!
You have completed the assembly of your
new Keys Fitness R4.0 Recumbent Bike!

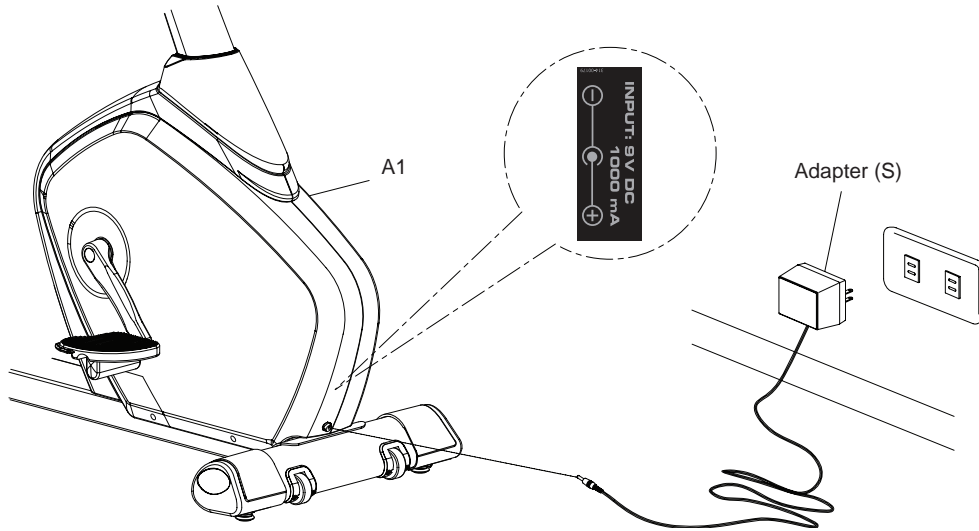
ADJUSTING YOUR SEAT POSITION



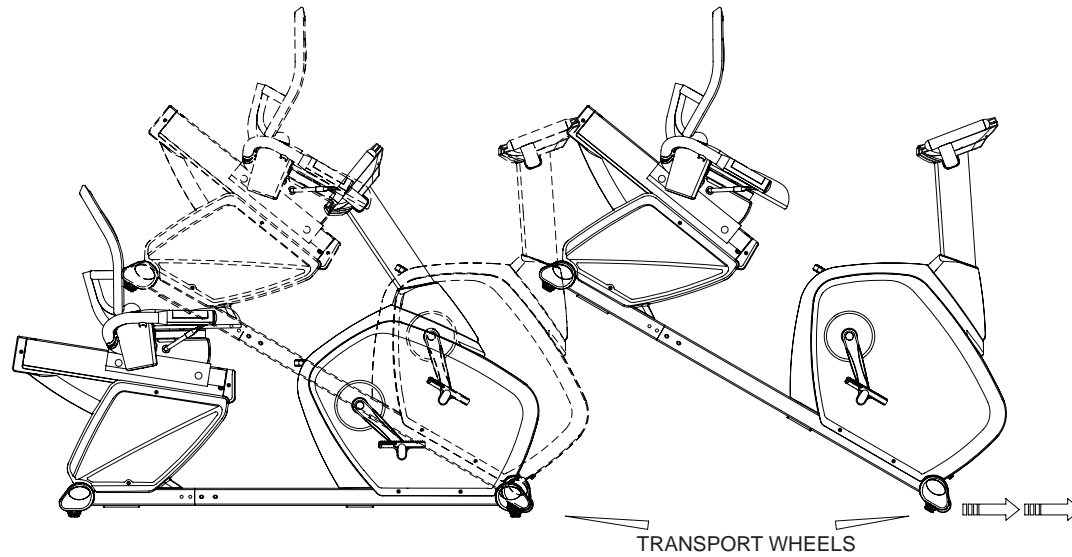
ADJUSTING YOUR BACKREST POSITION



AC ADAPTOR PLUG-IN LOCATION



TRANSPORTING YOUR UNIT

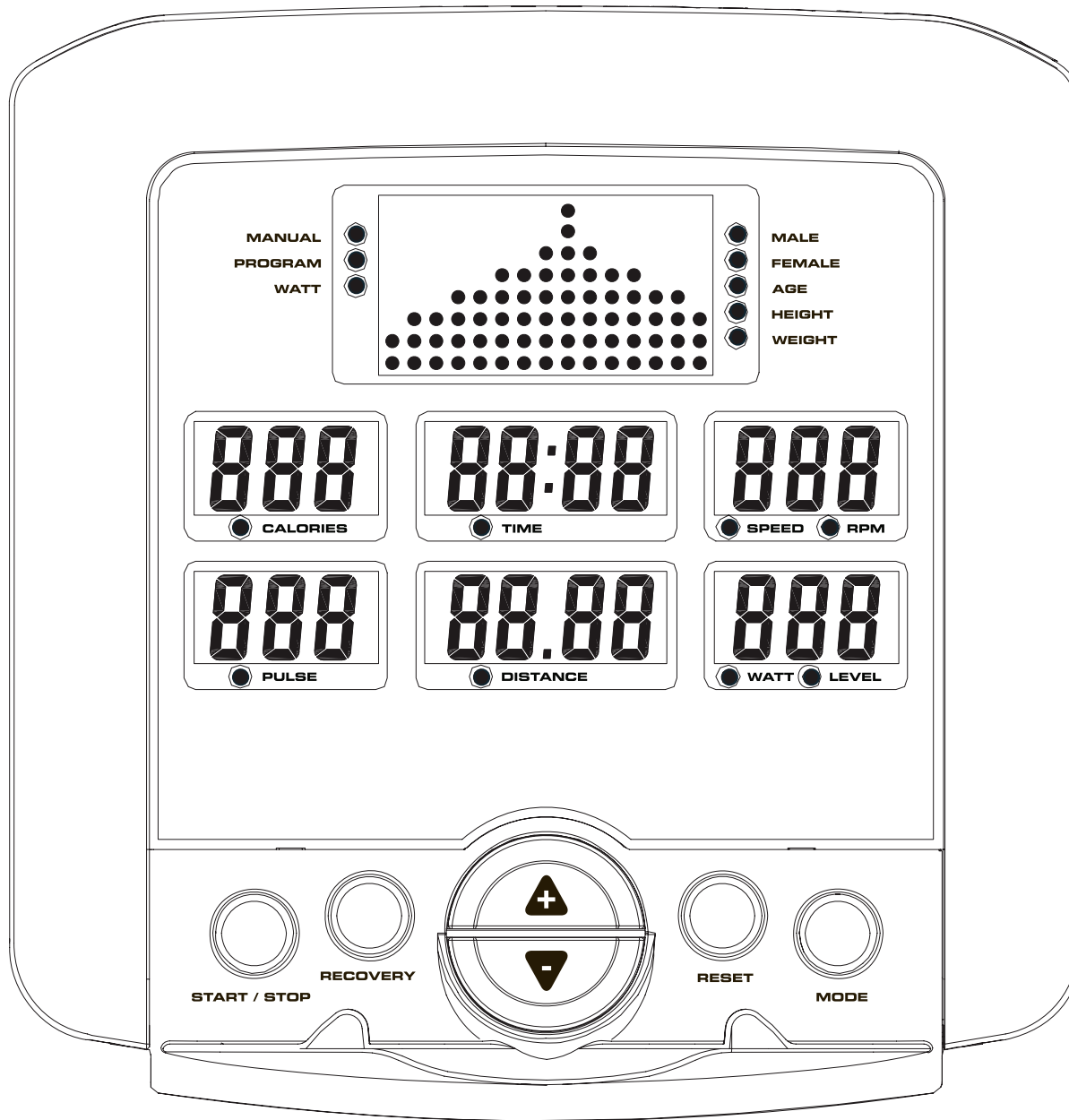




Console Information

www.keysfitness.com





CONSOLE BUTTONS

MODE:

This button is used as an enter key, and will allow user to move to the next setting that can be changed. When pressed and held for 2 seconds or more, console will go back to the user profile selection screen.

RESET:

This button is used to return to program selection screen when workout is paused by pressing start/stop button.

START/STOP:

This button is used to start or stop training.

RECOVERY:

This button is used to begin the Recovery feature of the console (refer to “Console Functions” for more information).

UP/DOWN:

When changing settings of a program, these buttons are used to increase/decrease TIME, WEIGHT and AGE. During your workout, these buttons are used to increase/decrease the resistance level from 1 to 16. Press and hold for two seconds to rapidly increase/decrease values.

BUTTONS ON ROTATING HANDLEBAR

In order to offer more flexibility during your workout, additional toggle switches are placed on the rotating handlebar. The buttons are the +/- and MODE/ENTER. They are used the same way as the buttons on the console. These buttons may be used at anytime as a substitute to pressing the buttons located on the console.

CONSOLE FUNCTIONS

TIME:

If a target time was not selected, time will count up from 00:00 to maximum 99:59. When working out with a target time, time will count down from target to 00:00. When selecting target time, use the +/- buttons, the time will change in 1 minute increments and can range from 1:00 min to 99:00 mins. Once target is accomplished, window will flash to signify the end of workout. You may press start button again to restart.

SPEED:

Displays current training speed from 0.0 to maximum 99.9 KM or MPH.

RPM:

Displays current training revolutions per minute.

DISTANCE:

If a target distance was not selected, distance will count up from 0.00 to maximum 99.90. When working out with a target distance, distance will count down from target to 0.0. When selecting target time, use the +/- buttons, the distance will change in 0.1 mile increments and can range from 0.00 miles to 99.90 miles. Once target is accomplished, window will flash to signify the end of workout. You may press start button again to restart.

CALORIES:

If target calories were not selected, calories will count up from 0 to maximum 990. When working out with target calories, calories will count down from target to 0. When selecting target calories, use the +/- buttons, the calories will change in 10 calorie increments and can range from 0 calories to 990 calories. Once target is accomplished, window will flash to signify the end of workout. You may press start button again to restart.

PULSE:

Displays your current heart rate as soon as both hands are holding the pulse sensor. The monitor will detect your heart rate through hand grip sensors that are located on the upright and near the seat. **Note:** *It may take several seconds for the electronics to detect and display an accurate heart rate reading.*

WATT:

Displays current training watt figures. A watt is a measurement of the amount of power generated by the user based on the resistance and speed.

RECOVERY:

After your workout, press “RECOVERY” button and keep holding on hand grips. All function display will stop except “TIME” starts counting down from 00:60 to 00:00. Screen will display your heart rate recovery status rating between F1-F6. F1 is the best, F6 is the worst. User may keep exercising to improve the heart rate recovery status. (Press the RECOVERY button again to return the main display.)

Score	Condition	Heart Rate (from test HR minus end HR)
F1	Excellent	Above 50
F2	Good	40 ~ 49
F3	Average	30 ~ 39
F4	Fair	20 ~ 29
F5	Poor	10 ~ 19
F6	Very Poor	Under 10

GENERAL INFORMATION

1. Start pedaling or press any button to start Console.
2. The console will shut down after 4 minutes of no activity, and will display room temperature. Begin pedaling or press any button to bring console back to operational state.
3. To reset console press and hold the MODE or RESET button for 2 seconds.
4. To begin workout without inputting any values (Quick Start Mode), simply press START/STOP once the console is turned on. Change resistance during workout by pressing the +/- buttons.

***Note:** The values calculated or measured by the console are for exercise purposes only, not for medical purposes.*

GETTING STARTED

When console is first turned on, user will be able to select a user profile. There are five profiles to choose from, U0-U4. Each profile allows the user to enter his/her information, such as Gender, Age, Height and Weight. **NOTE:** U0's profile is not saved in the console memory - will reset when the unit is plugged off, while the profiles in U1-U4 are saved in the console memory and can be retrieved after unit is turned off. To reset values to default factory settings, press and hold reset and mode buttons at the same time twice (doing this once will change console settings to metric units).

To begin, first select desired profile (U0-U4) that will be edited. Press MODE button to confirm selection. The console will now allow user to select his/her gender. Use the +/- buttons on the console or on the rotating handlebars to select user's gender. Press MODE to confirm selection. Next, enter user's age. Use the +/- buttons on the console or on the rotating handlebars to select user's age. Press MODE to confirm selection. The console will now allow user to enter his/her height. Use the +/- buttons on the console or on the rotating handlebars to select user's height.

Note: Height will be shown in inches. Press MODE to confirm your selection. Finally, enter user's weight. Use the +/- buttons on the console or on the rotating handlebars to select user's weight. Press MODE to confirm selection.

PROGRAM PROFILES:

PROGRAM INSTRUCTIONS

Once profile is either created or selected, user will select the type of workout desired. The available workouts include Manual, Program, Watt, and User.

MANUAL PROGRAM:

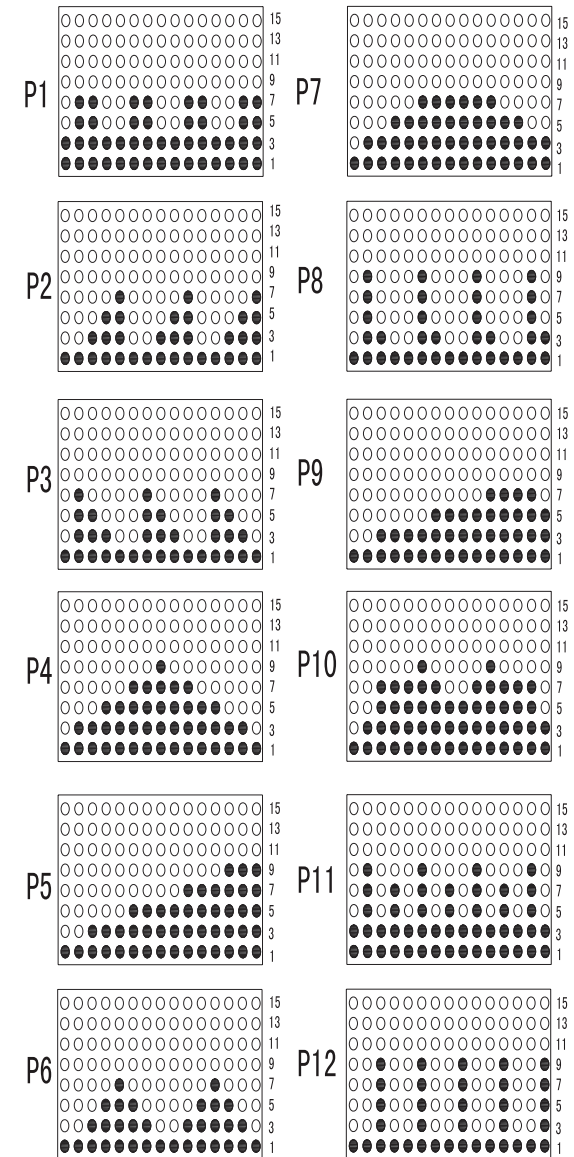
The manual program allows the user to manually adjust tension settings throughout his/her workout. The default tension level is 1. You may set desired time, distance, calories, resistance, distance, and pulse rate for your workout. If desired, user may bypass all of this, and simply press START/STOP button and enter into quick start mode. After selecting user profile, use the +/- buttons until the red LED lights up next to the word MANUAL. Press MODE to confirm. Resistance will flash in the display. Use the +/- buttons to set desired resistance level. Press MODE to confirm selection. Repeat steps for time, distance, pulse, and calories. Press START/STOP to begin exercising at any time. You can change the tension level at any time during your workout session by pressing the +/- buttons.

PRESET PROGRAMS:

The console comes with 12 preset programs. After selecting user profile, use the +/- buttons until the red LED lights up next to the word PROGRAM. Press MODE button to confirm selection. Use the +/- buttons until desired program is blinking (P1-P12) or simply press the quick key program selection. Press MODE button to confirm selection. The console will now allow user to select the level of workout (shown as bar level with adjacent number 1-10) by using the +/- buttons until the desired level is selected. Press MODE button to confirm selection. Time will flash in the display. Use the +/- buttons to set desired time. Press MODE to confirm selection. Repeat steps for distance, calories, and pulse. Press START/STOP to begin exercising at any time. You can change the level at any time during your workout session by pressing the +/- buttons.

WATT PROGRAM:

The watt program allows the user to set a target watt value. The unit will then keep this watt level constant. This means that if you exercise quickly the tension will decrease. If you exercise slowly the tension will increase to maintain the watt value entered. After selecting user profile, use the Up (+) or Down (-) buttons until the red LED lights up next to the word WATT. Press mode to confirm selection. Adjust the watt value by pressing the +/- buttons and press mode to confirm. Repeat steps for time, distance, calories, and pulse. Press START/STOP to begin exercising at any time.



CHANGING BETWEEN US STANDARD AND INTERNATIONAL:

To switch console from ML (Miles per hour) to KM (Kilometers per hour). First, press reset. Next, press both the Mode and Reset buttons at the same time and hold for 2 seconds. The console will beep and will display the new setting (ML for Standard and KM for Metric).

Monitoring Your Heart Rate

To obtain the greatest cardiovascular benefits from your exercise workout, it is important to work within your target heart rate zone. The American Heart Association (AHA) defines this target as 60%-75% percent of your maximum heart rate.

Your maximum heart rate may be roughly calculated by subtracting your age from 220. Your maximum heart rate and aerobic capacity naturally decreases as you age. This may vary from one person to another, but use this number to find your approximate effective target zone. For example, the maximum heart rate for an average 40 year-old is 180 bpm. The target heart rate zone is 60%-75% of 180 or 108-135 bpm. See ***Fitness Safety***.

Before beginning your workout, check your normal resting heart rate. Place your fingers lightly against your neck, or against your wrist over the main artery. After finding your pulse, count the number of beats in 10 seconds. Multiply the number of beats by six to determine your pulse rate per minute. We recommend taking your heart rate at these times; at rest, after warming up, during your workout and two minutes into your cool down, to accurately track your progress as it relates to better fitness.

During your first several months of exercising, the AHA recommends aiming for the lower part of the target heart rate zone-60%, then gradually progressing up to 75%. According to the AHA, exercising above 75% of your maximum heart rate may be too strenuous unless you are in top physical condition. Exercising below 60% of your maximum will result in minimal cardiovascular conditioning.

(MHR) = Maximum Heart Rate

(THR) = Target Heart Rate

$220 - \text{age} = \text{maximum heart rate (MHZ)}$

$\text{MHZ} \times .60 = 60\% \text{ of your maximum heart rate.}$

$\text{MHZ} \times .75 = 75\% \text{ of your maximum heart rate.}$

For example, if you are 30 years old, your calculations will be as follows:

$$220 - 30 = 190$$

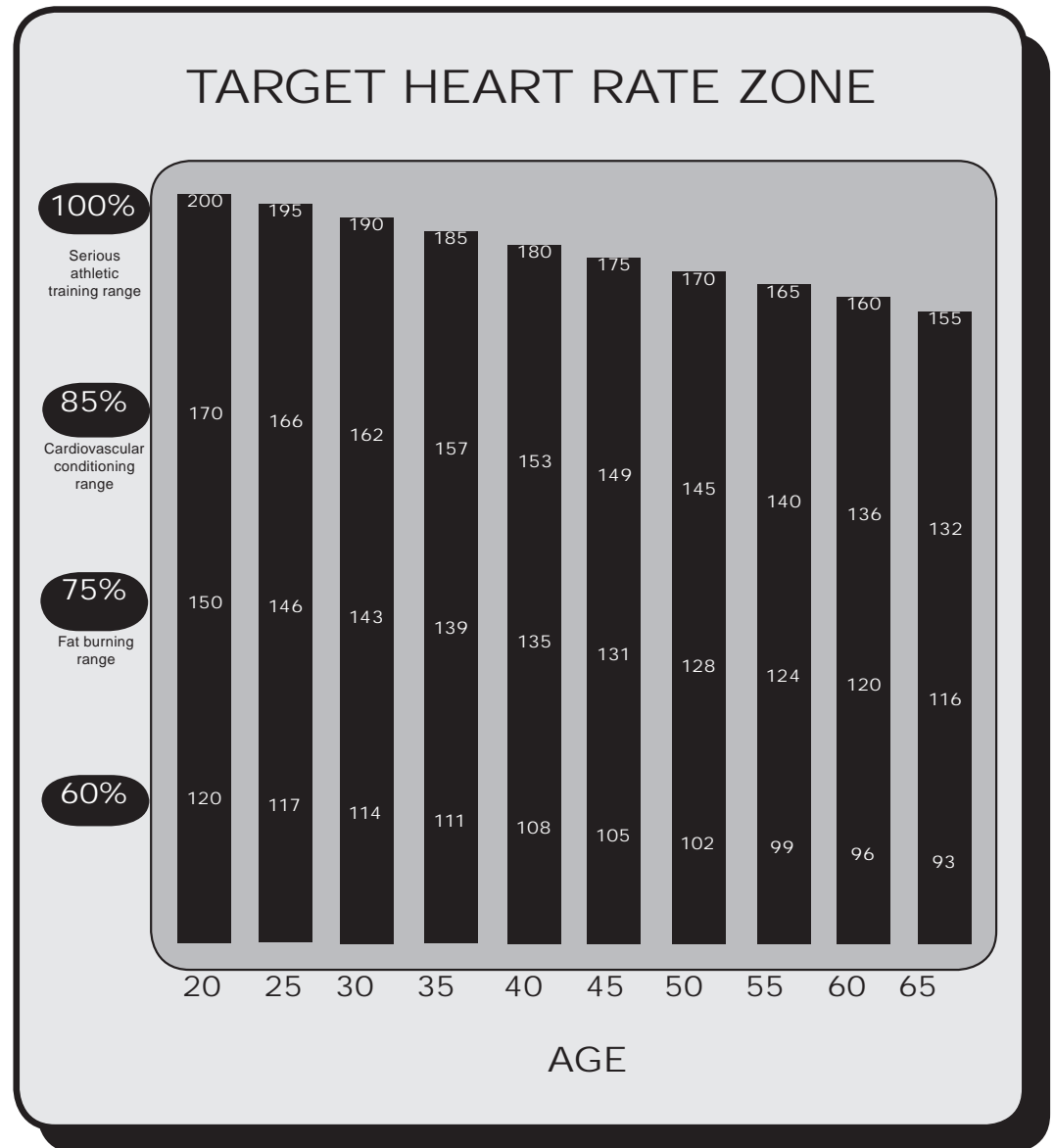
$$190 \times .60 = 114 \text{ (low end or 60\% of MHZ)}$$

$$190 \times .75 = 142 \text{ (high end or 75\% of MHZ)}$$

30 year-old (THR) Target Heart Rate would be 114-142

Check your pulse recovery rate – If your pulse is over 100 bpm five minutes after you stop exercising, or if it's higher than normal the morning after exercising, your exertion may have been too strenuous for your current fitness level. Rest and reduce the intensity next time.

Fitness Safety *The Heart Rate chart indicates average rate zones for different ages. A variety of different factors (including medication, emotional state, temperature and other conditions) can affect the target heart rate zone that is best for you. Your physician or health care professional can help you determine the exercise intensity that is appropriate for your age and condition.*





KeysFitness

Workout Information

www.keysfitness.com



WARNING!

Before beginning this or any exercise program, you should consult your physician. This is especially important for individuals over the age of 35 or individuals with pre-existing health problems. Flexibility is a key to fitness. Stretch all major muscle groups at least two to three times per week after a 5 to 10 minute warmup. Stretch just to the point of a gentle tug. If you have back, joint, or other health problems, talk to your doctor first



Prone on Elbows

Lie on your stomach with your feet together. Rest on your forearms with your elbows directly under your shoulders. Relax lower back and abdomen into the floor. Hold for 30-60 seconds or until muscles feel looser



Supine Lumbar Rotation

Lie on your back with your knees bent. Keeping your knees together against the floor, roll your knees to one side until you feel a stretch in your back or hip. Hold for 30-60 seconds or until muscles feel looser. Repeat on opposite side.



Knees to Chest

Lie on your back. Bend your knees, and lift your feet off the floor. Grasp your knees with your arms and pull your knees toward your chest. Hold for 20 Repeat three to five times..



Cat and Camel

Rest on your hands and knees. Round your back by contracting your abdominal muscles and tucking in your pelvis; hold for five seconds. Then allow your back to sag toward the floor as you lift your chest and head; hold for five seconds. Repeat the combination 10 times.



Cervical Side Bends

Tilt your head gently toward one shoulder, keeping your shoulders level and your face pointed straight ahead. Hold for five seconds, then tilt your head toward the other shoulder. and hold for five seconds. Repeat five times on each side.



Shoulder Circles

In a smooth, continuous motion, make a circle with your shoulders: Raise them up towards your ears, pull them together behind you, lower them to a resting position, then roll them forward. Repeat then roll them forward. Repeat 10 times.



Wrist Extensor

Extend your right arm in front of you with your palm up and your elbow straight. Point your fingertips toward the floor by bending at the wrist. Using your left hand, pull the back of your right hand toward you gently. Hold for 20 seconds; repeat three to five times with each arm.



Wrist Flexor

Extend your right arm in front of you, palm down, elbow straight. Point your fingertips toward the floor by bending at the wrist. Using your left hand, pull your right palm toward you gently. Hold for 20 seconds; repeat three to five times with each arm.



Triceps Stretch

Place your right hand behind your head, palm facing your head. With your left hand, grasp your right elbow and pull downward until you feel a stretch in the back of your right arm. Hold for 20 seconds; repeat three to five times with each arm.



One-Arm Pectoralis Stretch

Stand against an immobile structure like a wall or a tree. While facing the wall, raise your right hand out to your side at chest height, palm against the wall. Turn your body toward the left, away from the wall and your extended arm, until you feel a stretch. Hold for 20 seconds; repeat three to five times with each arm.



Piriformis Stretch

Lie on your back. Bend your right knee and lift it halfway to your chest. Grasp your knee with your left hand and pull it toward your left shoulder, keeping both buttocks against the floor. Hold for 20 seconds; repeat three to five times with each leg.



Groin (Adductors) Stretch

Sitting with your back straight, bring the soles of your feet together. Let your knees lower toward the floor. Hold for 30-60 seconds or until muscles feel looser.



Calf Stretch

Face a solid structure such as a wall with your left foot ahead of your right, toes straight ahead. Bend your left knee, press your hips forward, and lean into the wall. Keep both heels down, your right leg straight, and your left knee over your ankle. Hold for 20 seconds; repeat three to five times with each leg.



Standing Quadriceps Stretch

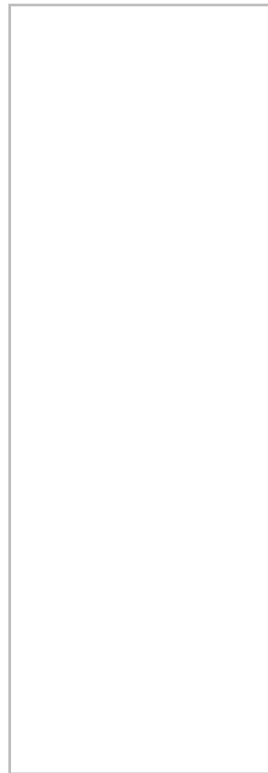
Steady yourself with one hand. With the other, grab outside leg at ankle, keeping body straight from knee to hip. Gently pull foot up and towards the buttocks until you feel a stretch along the front of the thigh. Thigh should be pulled straight back and not drift to outside. Hold 20-30 seconds. For variation, grab opposite ankle (i.e., grab right ankle with left hand). Do two to three repetitions per leg.

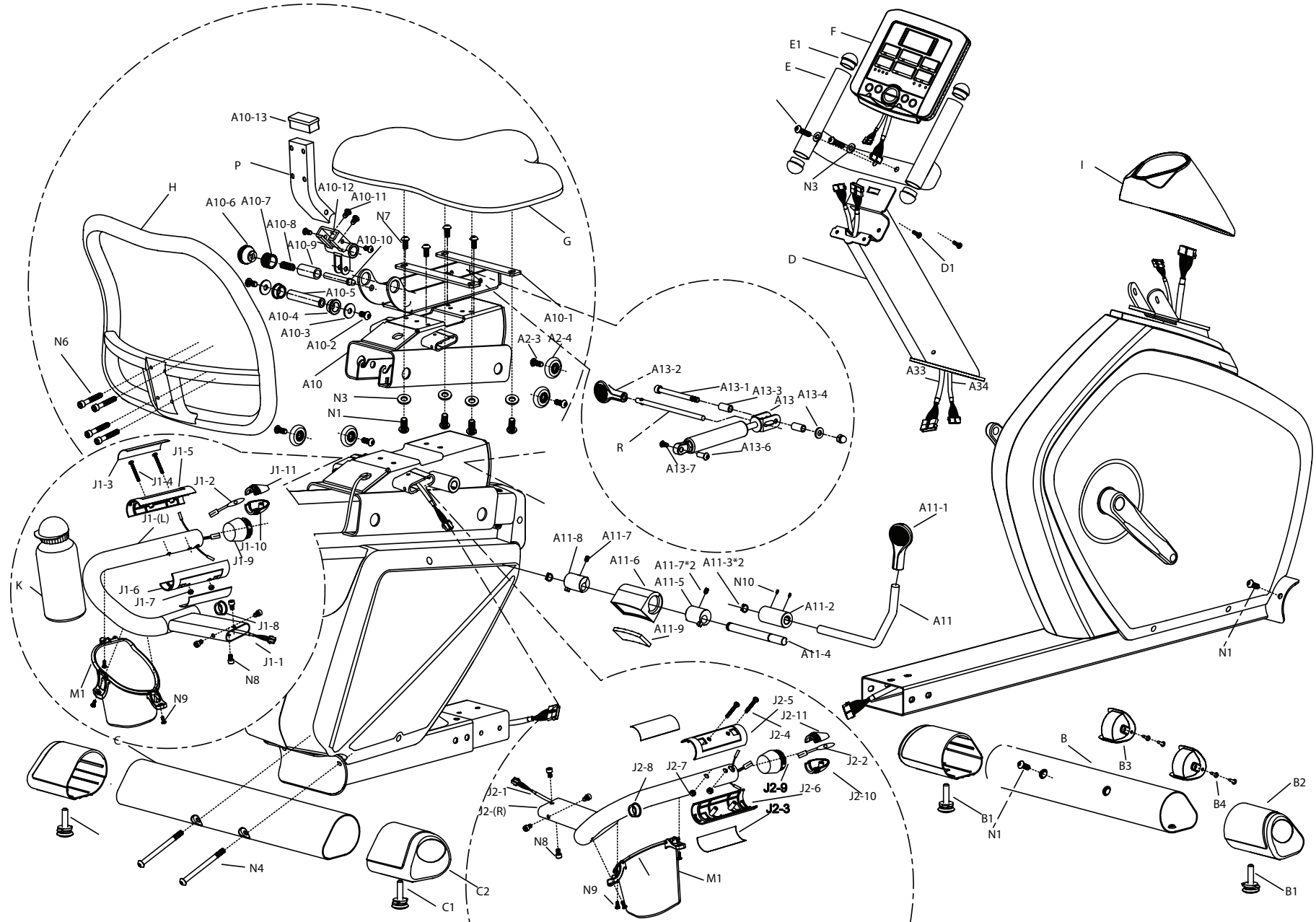


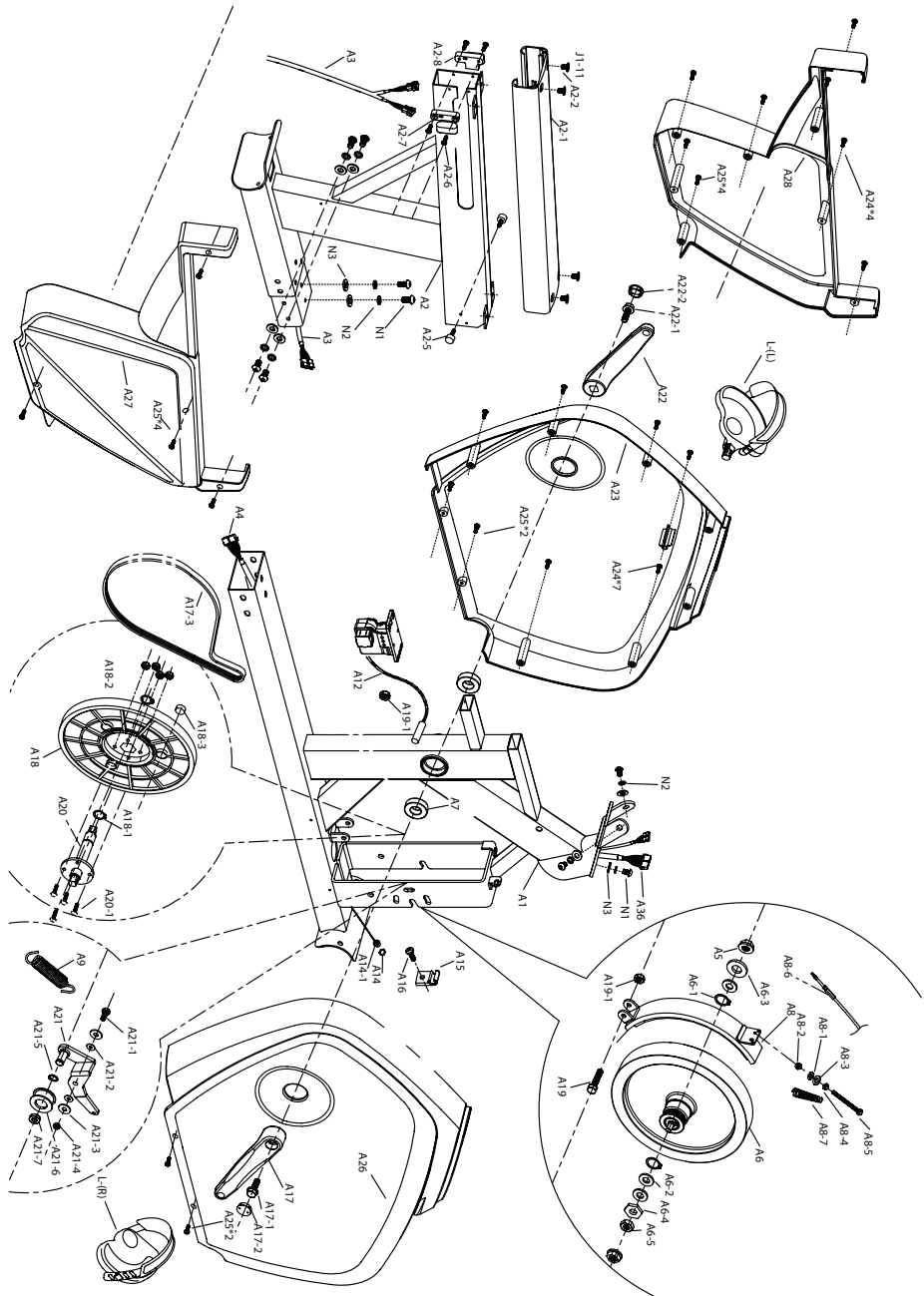
Achilles Stretch

Face the wall with your left foot ahead of your right, toes straight ahead. Bend both knees, press your hips forward, and lean into the wall. Keep both heels down and both knees in line with your feet. Hold for 20 seconds; repeat three to five times with each leg.

 **KeysFitness** **Parts Information**
www.keysfitness.com







Ref #	Description	Qty	Ref #	Description	Qty
A1	MAIN FRAME, FRONT	1	A21	BRACKET, IDLER PULLEY	1
A2	MAIN FRAME, REAR	1	A21-1	SCREW,	1
A2-1	TRACK, ALUMINUM	1	A21-2	WASHER,	2
A2-2	SCREW,	4	A21-3	WASHER,	2
A2-3	SCREW,	4	A21-4	NUT,	1
A2-4	WHEEL,	4	A21-5	C-CLIP,	1
A2-5	SCREW,	4	A21-6	WHEEL, IDLER	1
A2-6	SCREW,	4	A21-7	BEARING,	1
A2-7	STOPPER, RIGHT BLACK	1	A22	CRANK ARM, LEFT	1
A2-8	STOPPER, LEFT BLACK	1	A22-1	SCREW,	1
A3	WIRE HARNESS, EKG REAR	1	A22-2	PLUG, CIRCULAR BLACK	1
A4	WIRE HARNESS, EKG MIDDLE	1	A23	HOUSING, LEFT FRONT	1
A5	NUT,	2	A24	SCREW,	11
A6	FLYWHEEL, MAG BRAKE	1	A25	SCREW,	12
A6-1	C-CLIP,	2	A26	HOUSING, RIGHT FRONT	1
A6-2	WASHER,	3	A27	HOUSING, RIGHT REAR	1
A6-3	WASHER,	1	A28	HOUSING, LEFT REAR	1
A6-4	NUT,	1	A33	WIRE HARNESS, MAIN CONSOLE TUBE	1
A6-5	NUT,	1	A34	WIRE HARNESS, EKG CONSOLE TUBE	1
A7	BEARING,	2	A36	GEAR BOX	1
A8	MAGNETIC HOUSING	1	B	STABILIZER, FRONT	1
A8-1	WASHER,	1	B1	LEVELER	2
A8-2	NUT,	1	B2	END CAP, TRIANGULAR BLACK	2
A8-3	WASHER,	1	B3	WHEEL, TRANSPORT	2
A8-4	NUT,	1	B4	SCREW,	4
A8-5	SCREW,	1	C	STABILIZER, REAR	1
A8-6	CABLE, TENSION	1	C1	LEVELER	2
A8-7	SPRING,	1	C2	END CAP, TRIANGULAR BLACK	2
A9	SPRING,	1	D	CONSOLE TUBE,	1
A10	SEAT CARRIAGE	1	D1	SCREW,	2
A10-1	MOUNT, SEAT	1	E	HANDLEBAR, FRONT	1
A10-2	SCREW,	2	E1	PLUG, CIRCULAR BLACK	4
A10-3	WASHER,	2	F	CONSOLE,	1
A10-4	BUSHING,	2	G	SEAT, BLACK NO LOGO	1
A10-5	AXLE, BACKREST LONG	1	H	BACKREST, MESH BLACK	1
A10-6	KNOB, ROUND BLACK	1	I	COVER, CONSOLE TUBE	1
A10-7	CAP, PLASTIC BLACK	1	J1(L)	HANDLEBAR, LEFT REAR	1
A10-8	SPRING,	1	J1-1	WIRE, EKG REAR	1
A10-9	AXLE, BACKREST SHORT	1	J1-2	PCB, TOGGLE LEFT	1
A10-10	SHAFT, POP PIN	1	J1-3	PLATE, PULSE	2
A10-11	SCREW,	4	J1-4	SCREW,	2
A10-12	MOUNT, PIVOT	1	J1-5	COVER, HAND PULSE TOP	1
A10-13	PLUG, RECTANGULAR BLACK	1	J1-6	COVER, HAND PULSE BOTTOM	1
A11	HANDLE, SEAT ADJUST	1	J1-7	NUT,	2
A11-1	HANDLE, BLACK	1	J1-8	PLUG, CIRCULAR BLACK	1
A11-2	TUBE, CONNECTING	1	J1-9	COVER, TOGGLE REAR	1
A11-3	C-CLIP,	2	J1-10	COVER, TOGGLE BOTTOM	1
A11-4	AXLE, SEAT BRAKE	1	J1-11	COVER, TOGGLE TOP	1
A11-5	BUSHING, BRAKE ASSEMBLY RIGHT	1	J2-(R)	HANDLEBAR, RIGHT REAR	1
A11-6	MOUNT, BRAKE	1	J2-1	WIRE, EKG REAR	1
A11-7	SET SCREW,	2	J2-2	PCB, TOGGLE RIGHT	1
A11-8	BUSHING, BRAKE ASSEMBLY LEFT	1	J2-3	PLATE, PULSE	2
A11-9	PAD, BRAKE	1	J2-4	SCREW,	2
A12	SPEED SENSOR, W/ WIRE	1	J2-5	COVER, HAND PULSE TOP	1
A13	GAS SHOCK,	1	J2-6	COVER, HAND PULSE BOTTOM	1
A13-1	SCREW,	1	J2-7	NUT,	2
A13-2	HANDLE, BLACK	1	J2-8	PLUG, CIRCULAR BLACK	1
A13-3	BUSHING, PLASTIC	2	J2-9	COVER, TOGGLE REAR	1
A13-4	WASHER,	1	J2-10	COVER, TOGGLE BOTTOM	1
A13-5	NUT,	1	J2-11	COVER, TOGGLE TOP	1
A13-6	SCREW,	1	K	WATER BOTTLE, BLACK	1
A13-7	SCREW,	1	L-(L)	PEDAL, LEFT	1
A14	NUT,	1	L-(R)	PEDAL, RIGHT	1
A14-1	POWER RECEPTACLE, W/ WIRE	1	M1	ACCESSORY TRAY, LEFT	1
A15	MOUNT, SPEED SENSOR	1	M2	ACCESSORY TRAY, RIGHT	1
A16	SCREW,	1	N1	SCREW,	15
A17	CRANK ARM, RIGHT	1	N2	WASHER,	9
A17-1	SCREW,	1	N3	WASHER,	15
A17-2	PLUG, CIRCULAR BLACK	1	N4	SCREW,	2
A17-3	BELT, POLY-V	1	N5	SCREW,	2
A18	PULLEY, CRANK	1	N6	SCREW,	4
A18-1	C-CLIP,	2	N7	SCREW,	4
A18-2	NUT,	4	N8	SCREW,	8
A18-3	MAGNET, SPEED SENSOR	1	N9	SCREW,	6
A19	SCREW,	1	N10	SCREW,	1
A19-1	NUT,	1	N11	SCREW,	1
A20	SHAFT, CRANK	1	#	BOLT PACK, KF-R4.0	1
A20-1	SCREW,	4	#	AC ADAPTER,	1

Residential and Personal Use Limited Warranty

PLEASE READ THESE WARRANTY TERMS AND CONDITIONS FULLY AND CAREFULLY BEFORE USING YOUR Keys Fitness Products EQUIPMENT. BY USING THE EQUIPMENT, YOU ARE CONSENTING TO BE BOUND BY THE FOLLOWING TERMS AND CONDITIONS.

Frame: Lifetime **Parts:** 3 Years

Labor: 1 Year

Limited Warranty

This Limited Warranty applies in the United States and Canada to Products manufactured or distributed by Keys Fitness Products, L.P. under the Keys Fitness Products ("Keys Fitness Products") brand name (as used herein, the "Product" or "Products"). The warranty period to the original purchaser is listed above, and commences on the date of original purchase of the product, unless otherwise authorized by Keys Fitness Products. Keys Fitness Products warrants that the Product purchased from Keys Fitness Products or from an authorized Keys Fitness Products reseller "dealer" (for residential or personal use only, unless otherwise authorized by Keys Fitness Products in writing), is free from defects in Materials and Workmanship relevant to the functionality of the Product at initial startup, under normal use, and during the applicable warranty period, unless otherwise determined by Keys Fitness Products.

This warranty excludes expendable parts if primary cause for warranty claim is wear. Expendable parts pertain to components on the Product that are prone to normal wear and tear. These items vary by Product, and can include (but not limited to) hand grips, skid pads, pedals, pedal straps, poly-v belts, console overlays, toggle switch/button overlays, (luster free or dull) ekg plates, decals, and any other items that are not essential to the operation of the Product, unless otherwise determined by Keys Fitness Products.

This warranty extends only to you, the original purchaser. It is not transferable to anyone who subsequently purchases (or receives as a gift) the Product from you. Your sales receipt, showing the date/place of purchase and serial number (if applicable) of the Product, is your proof of purchase, and may be required by Keys Fitness Products any time a warranty parts (or service) claim is made or if no warranty record exists for the product.

Exclusive Remedies

During the warranty period listed above, Keys Fitness Products will repair a Product by correcting any minor issues (either by phone or online support) that might be causing the Product failure. Should a technical service and support representative be unable to correct the issue, Keys Fitness Products may replace the parts (with new parts or at the option of Keys Fitness Products, with serviceable used parts, that are equivalent to new parts in performance) that become defective, malfunction, or otherwise fail to conform to this Limited Warranty under normal use.

Replacement parts shall be warranted for 30 days from the shipment reception date or through the end of the 'replaced' part warranty period, whichever is longer. Any replacement parts, required past the warranty period listed above, shall be subject to purchase at retail price, plus any added shipping and handling charges associated to the delivery of the part. Note that replacement parts may be available only through the lifetime (as defined) of the Product. In conforming to this warranty, Keys Fitness Products (as the manufacturer) reserves the right to change manufacturers or vendors of any part to cover the existing warranty.

Keys Fitness Products may also provide service (if deemed necessary and if applicable) at no charge to you during (and not to exceed) the service warranty period listed above, in an attempt to repair the Product. Should the Product require service at your request or out of the limited warranty period, Keys Fitness Products can furnish contact information for local (to your area) Keys Fitness Products authorized service providers. Service quotes, costs, and scheduling will be strictly dependent on service provider rates and mutual (consumer/provider) service agreements. Keys Fitness Products is not responsible for any service repair costs accrued through the use of authorized Keys Fitness Products service providers at your request or out of the limited warranty period (without written consent from Keys Fitness Products), beyond the limitations outlined on this warranty.

Replacements and Returns

If after a reasonable number of attempts, a defect has not been repaired (or the Product is deemed non-repairable by Keys Fitness Products technical service and support staff), Keys Fitness Products, based on a case by case review, may opt to replace the Product, or recommend an alternate resolution, such as a warranty buy-out (Product cost, subject to deduction of a reasonable charge for usage) or a credit. Keys Fitness Products, as a manufacturer, reserves the right to replace the Product with a Factory-Reconditioned Product that meets or exceed standards comparable to those of the replaced Product. The warranty covering the replacement Product shall expire on the date the original warranty for the replaced Product would have expired, unless otherwise determined by Keys Fitness Products.

Conditions and Restrictions

This warranty DOES NOT (A) cover shipping and handling charges, export taxes, custom duties and taxes, or any other charges associated with transportation of the parts or Product, beyond the initial courtesy period of 60 days from original date of purchase of the Product; (B) extend to Products not purchased from Keys Fitness Products or from an authorized

Keys Fitness Products reseller; (C) extend to Products purchased from online auction sites; (D) cover any extended, additional, or third party warranties if not offered exclusively by Keys Fitness Products in writing; (E) cover Products installed at fee based facilities/commercial environments (gyms, homes used as wellness centers, etc.); (F) cover Products installed in light institutional environments (non fee-based facilities include for example, and not be way of limitation, fire houses, police departments, rehab centers, hospitals, clinics, apartment complexes, club houses, etc.); (G) cover service calls to correct installation, perform maintenance, or instruct owners on how to use the equipment; or (H) cover a Product on which the serial number has been purposefully or accidentally defaced or removed and there is no proof of purchase available (if serial number is applicable), unless authorized by Keys Fitness Products in writing or otherwise stated on this warranty.

This Limited Warranty becomes void for Products that have been damaged or rendered defective as a result of (a) accident, misuse, or abuse (including but not limited to exceeding the Keys Fitness Products listed, maximum weight limit); (b) use of parts not manufactured or sold by Keys Fitness Products; (c) modification of the Product; (d) normal wear and tear; (e) operation on incorrect power supplies; (f) ***failure to perform (or performing improper) maintenance; (g) service by anyone other than Keys Fitness Products, or an authorized Keys Fitness Products warranty service provider; (h) floods, fires, earthquakes, lightning strikes, power surges, and other unavoidable acts of nature; (i) residential mis-wires; or (k) incorrect setup, installation, or assembly. Should any Product (submitted for warranty parts replacement) be found ineligible under the terms outlined on this warranty, an estimate for parts purchase (if available) can be furnished at your request.

* Parts is herein defined exclusively, for all intents and purposes, and pertaining to this Limited Manufacturer Warranty, as components or Materials essential to the functionality of the Product.

**Lifetime of a Product, is herein defined exclusively, for all intents and purposes, and pertaining to this Limited Manufacturer Warranty, as the time period 7 years beyond the end of production cycle of a Product in question.

Disclaimer and Release

EXCEPT AS EXPRESSLY SET FORTH IN THIS WARRANTY, Keys Fitness Products MAKES NO OTHER WARRANTIES, EXPRESSED OR IMPLIED, INCLUDING ANY IMPLIED WARRANTIES OF MERCHANTABILITY AND FITNESS FOR A PARTICULAR PURPOSE. Keys Fitness Products EXPRESSLY DISCLAIMS ALL WARRANTIES NOT STATED IN THIS LIMITED WARRANTY. ANY IMPLIED WARRANTIES THAT MAY BE IMPOSED BY LAW ARE LIMITED TO THE TERMS OF THIS LIMITED WARRANTY. NEITHER Keys Fitness Products NOR ANY OF ITS AFFILIATES SHALL BE RESPONSIBLE FOR INCIDENTAL OR CONSEQUENTIAL DAMAGES. SOME STATES DO NOT ALLOW LIMITATIONS ON IMPLIED WARRANTIES OR THE EXCLUSION OR LIMITATION OF INCIDENTAL OR CONSEQUENTIAL DAMAGES, SO THE ABOVE LIMITATIONS OR EXCLUSIONS MAY NOT APPLY TO YOU. THIS LIMITED WARRANTY GIVES YOU SPECIFIC LEGAL RIGHTS AND YOU MAY ALSO HAVE OTHER RIGHTS THAT MAY VARY FROM STATE TO STATE. THIS IS THE ONLY EXPRESS WARRANTY APPLICABLE TO Keys Fitness Products-BRANDED PRODUCTS. Keys Fitness Products NEITHER ASSUMES NOR AUTHORIZES ANYONE TO ASSUME FOR IT ANY OTHER EXPRESS WARRANTY.



www.keysfitness.com

Keys Fitness Products, L.P.

4009 Distribution Drive, Suite 250

Garland, Texas 75041

Customer Service: 1-800-340-0482